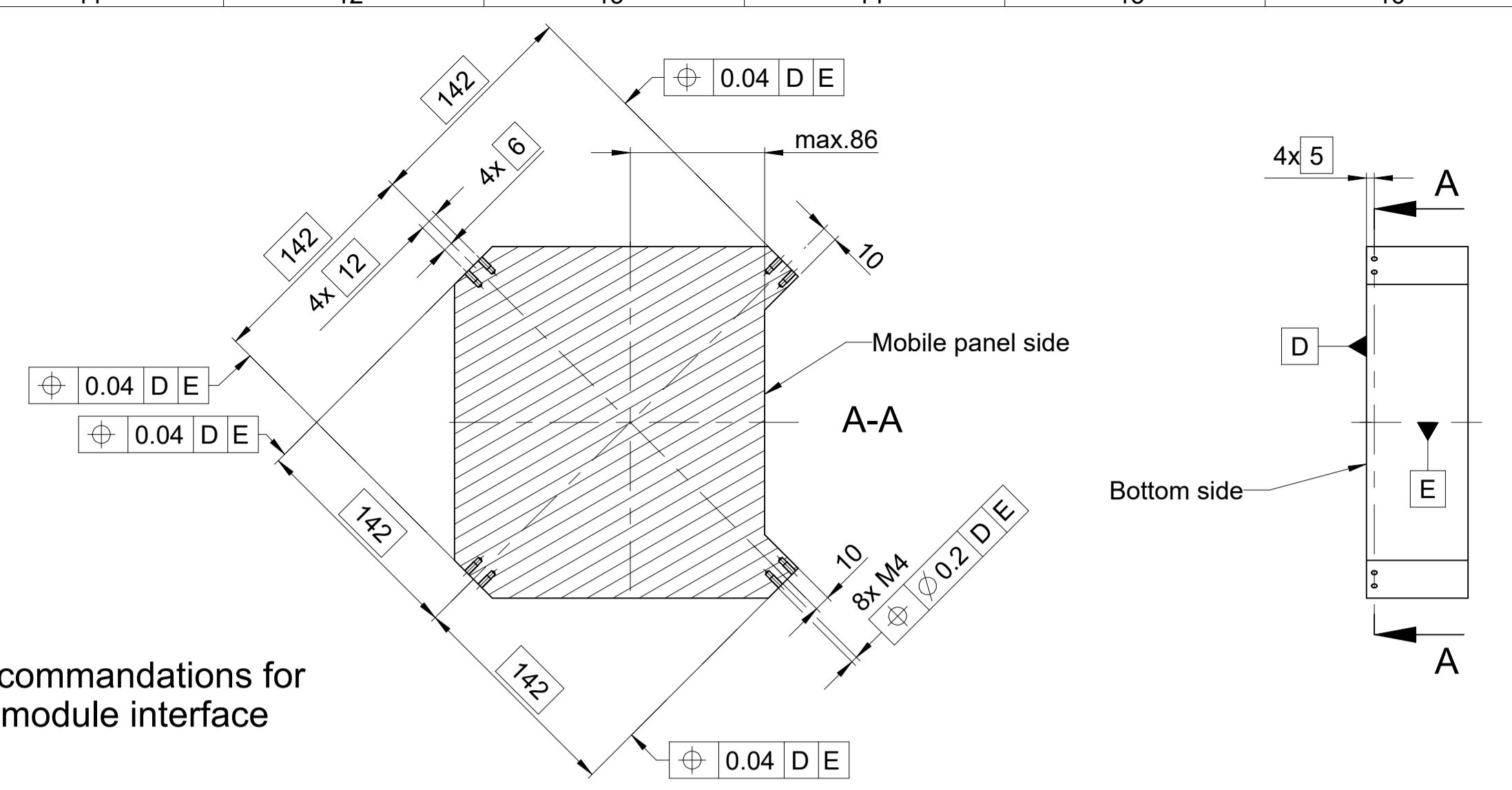
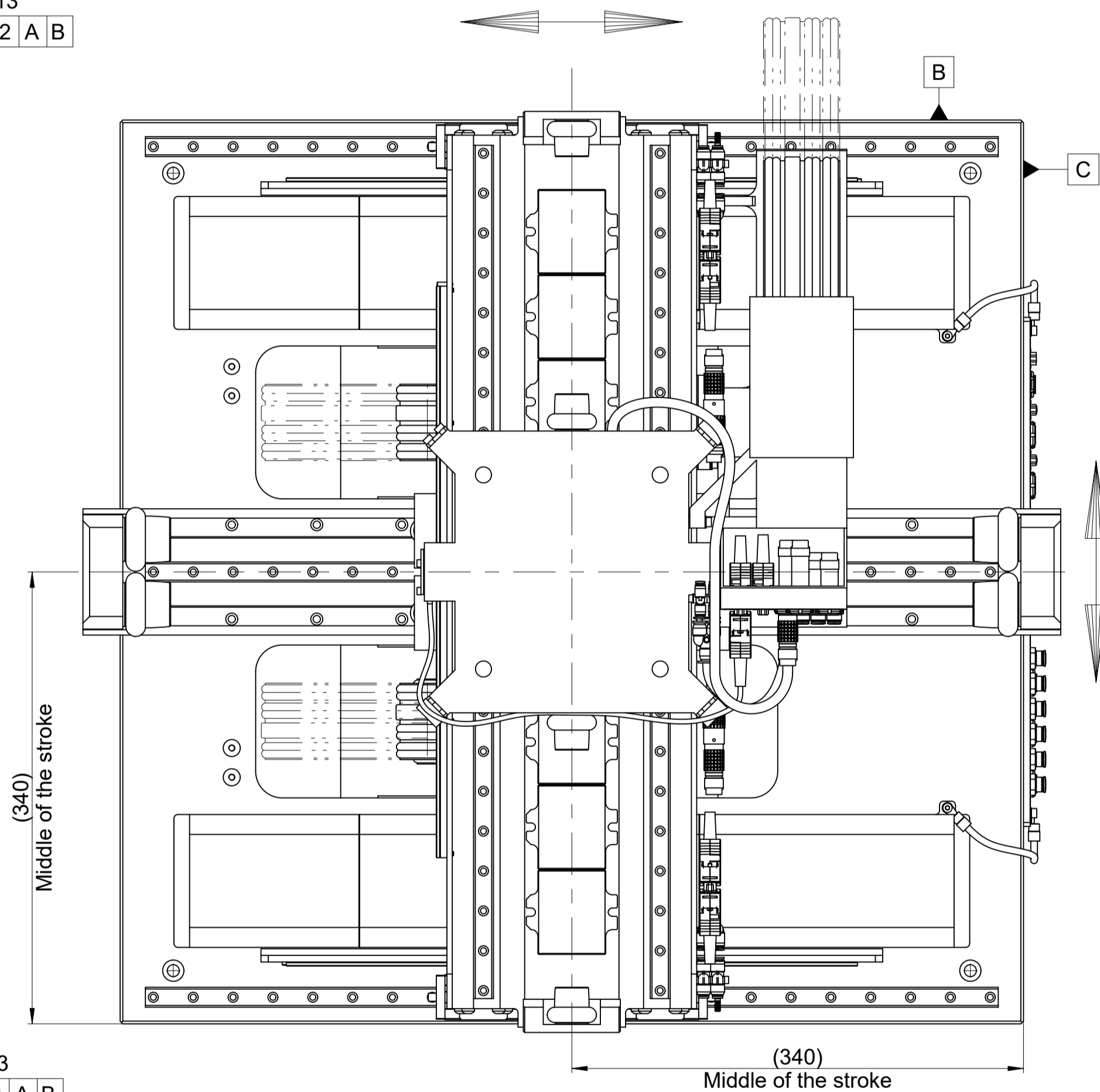
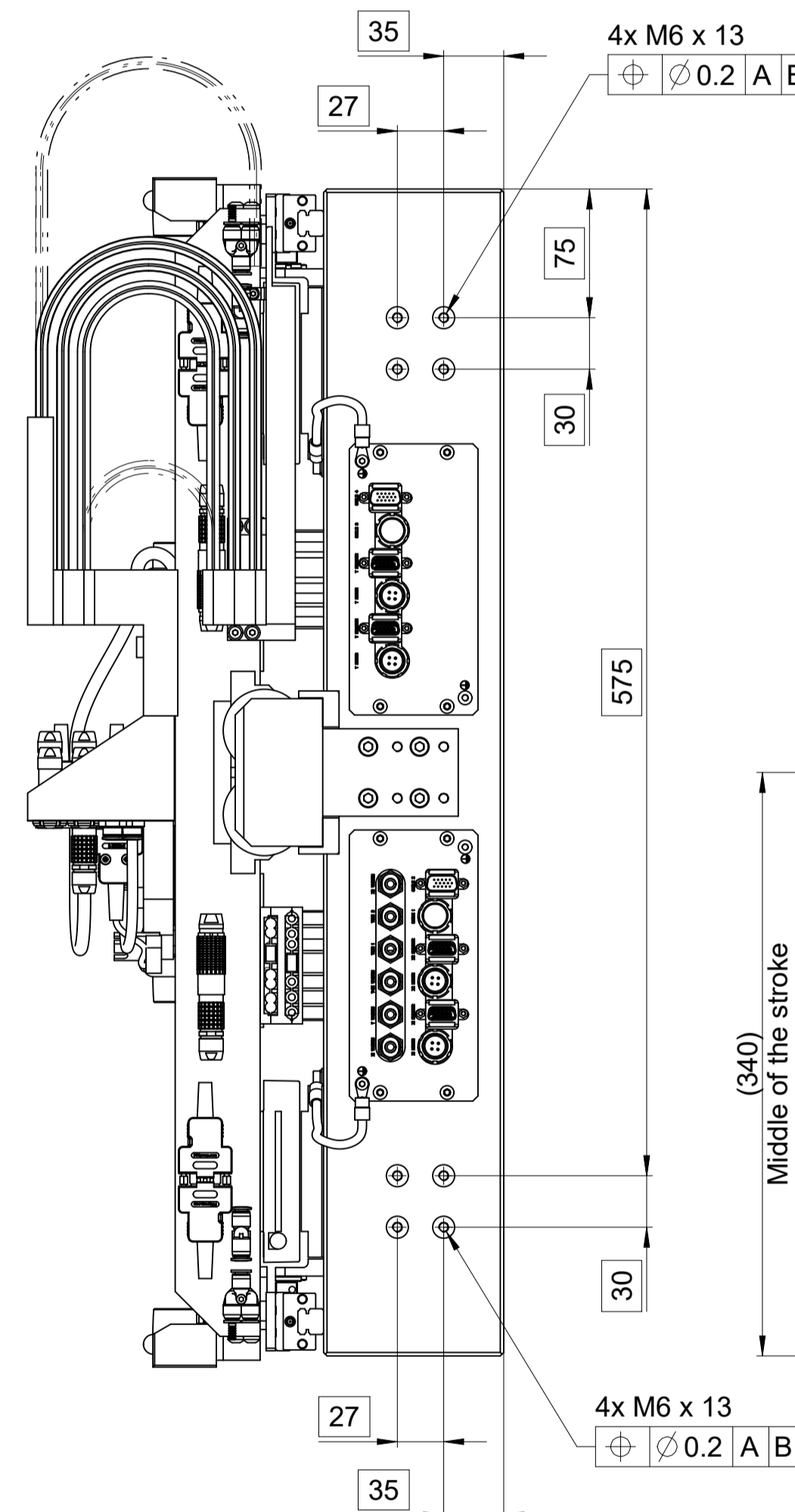


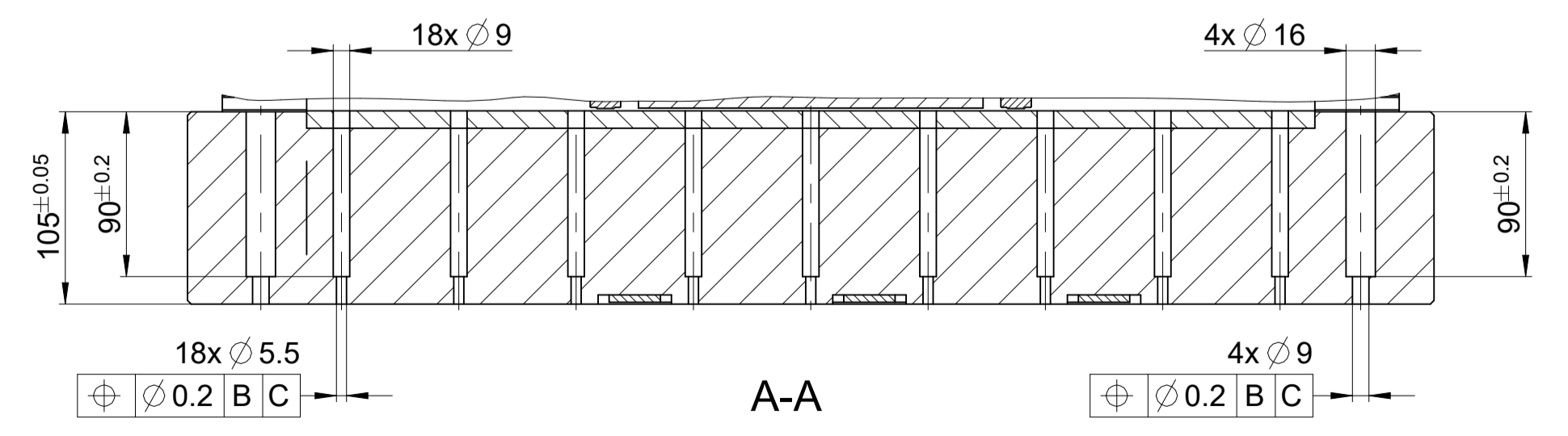
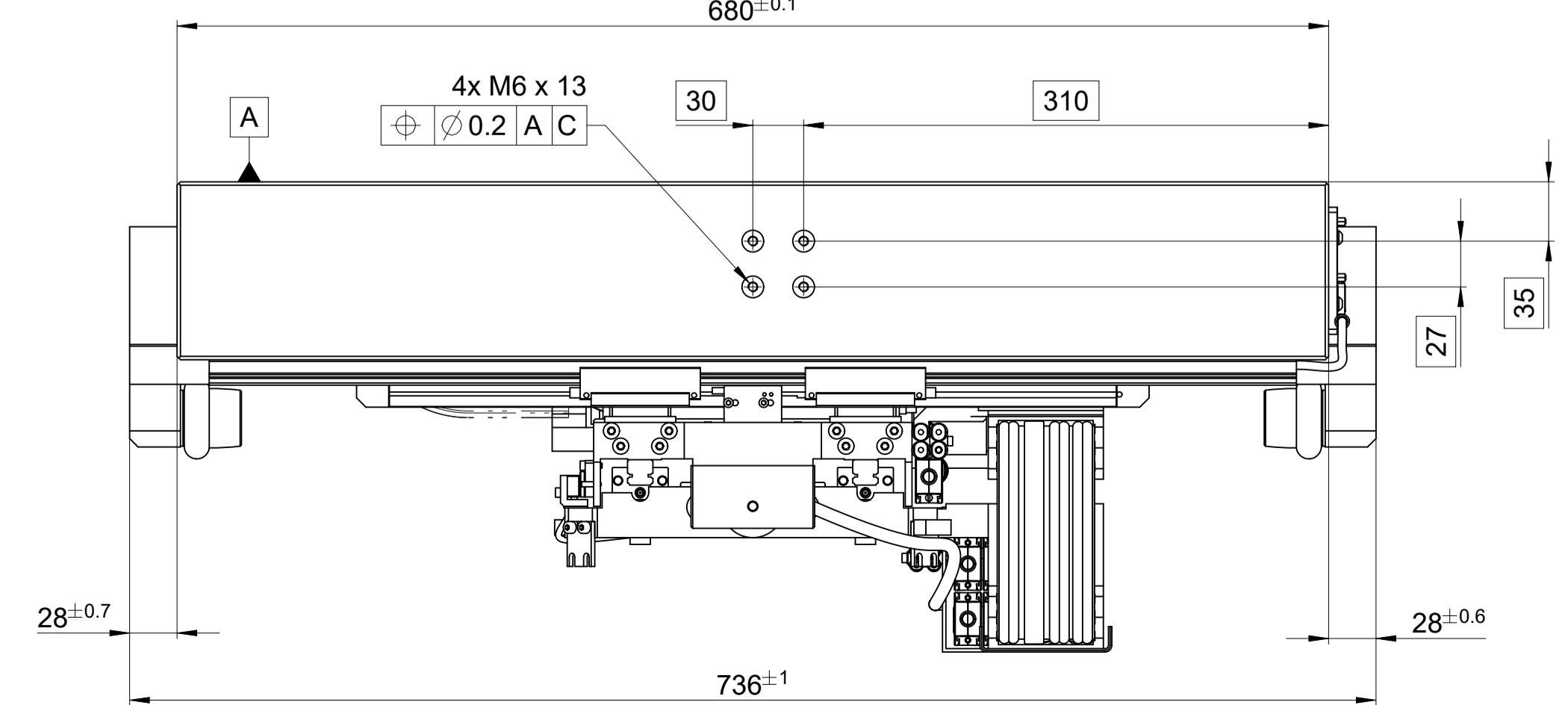
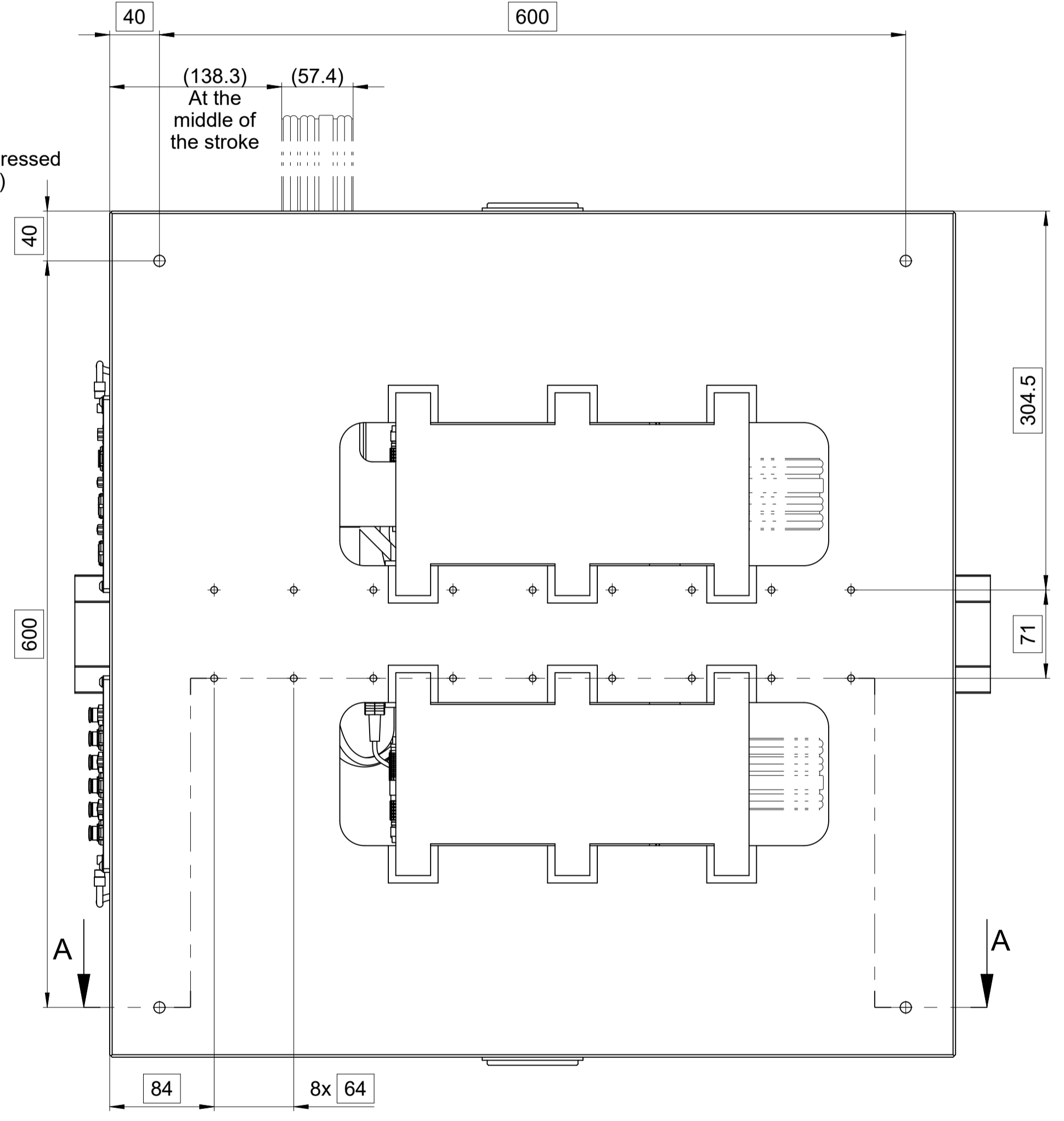
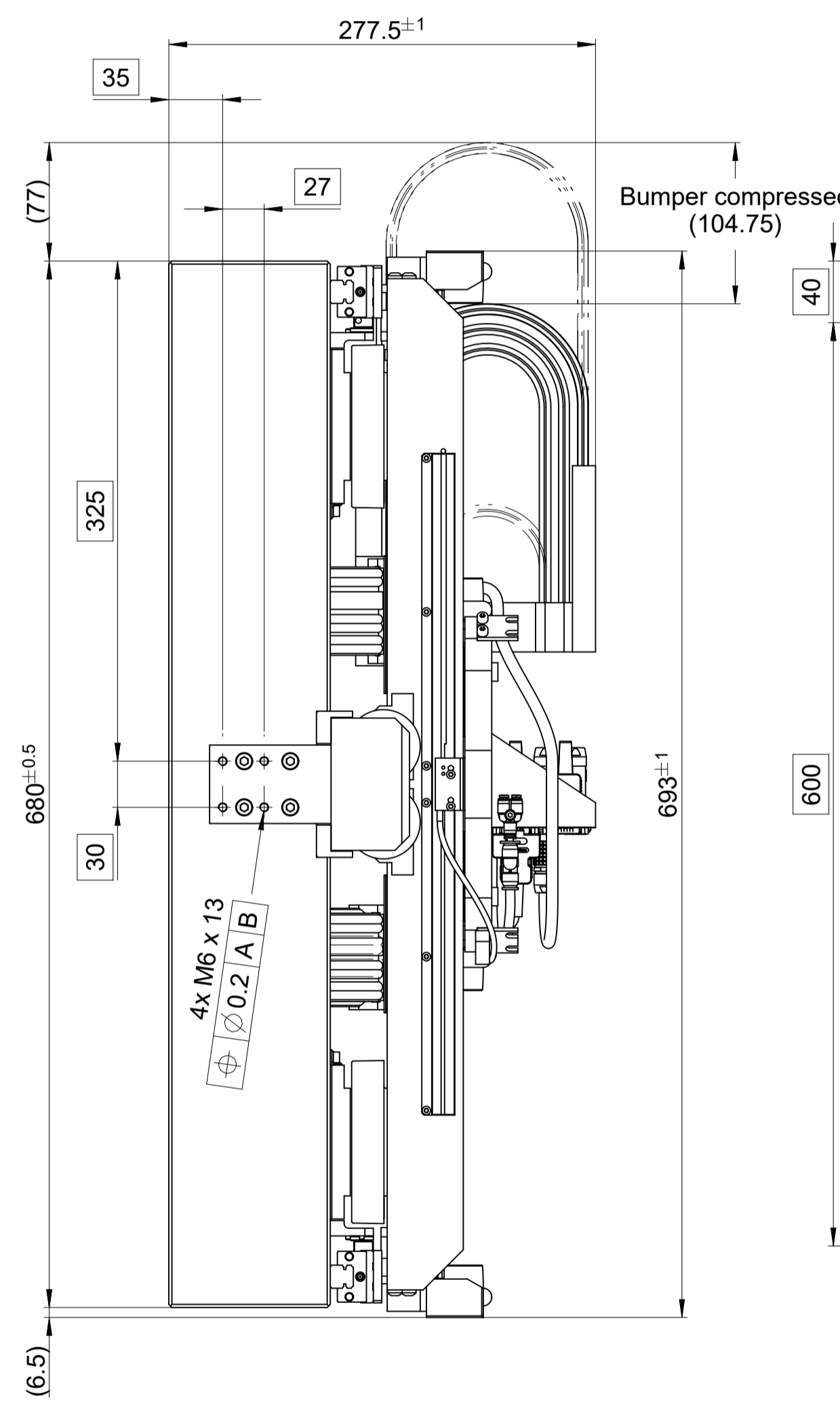
Design recommendations for customer module interface



Stroke X = 365 mm min.
Mechanical stroke X = 406 mm max. (bumpers compressed)

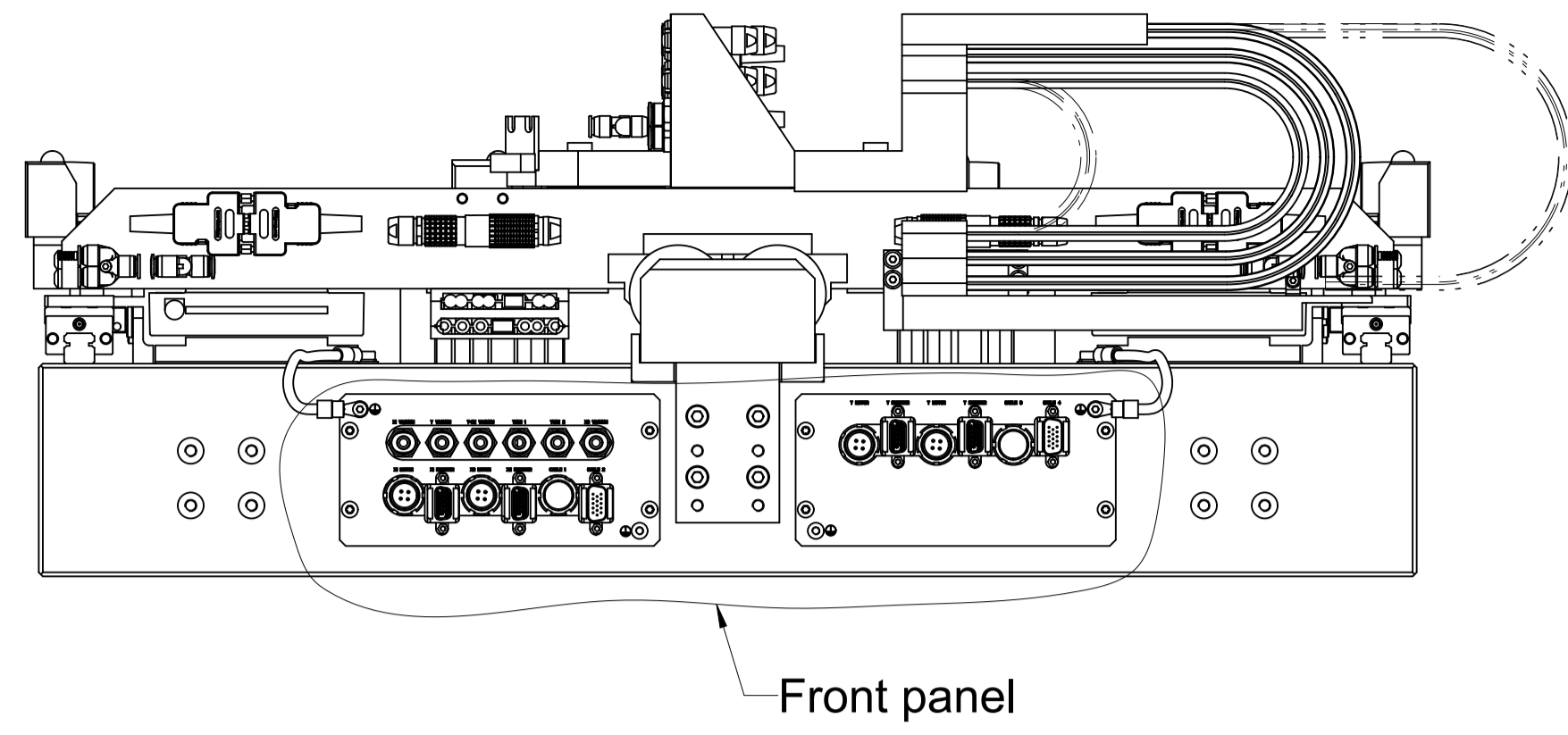


Stroke Y = 355 mm min.
Mechanical stroke Y = 419 mm max. (bumpers compressed)

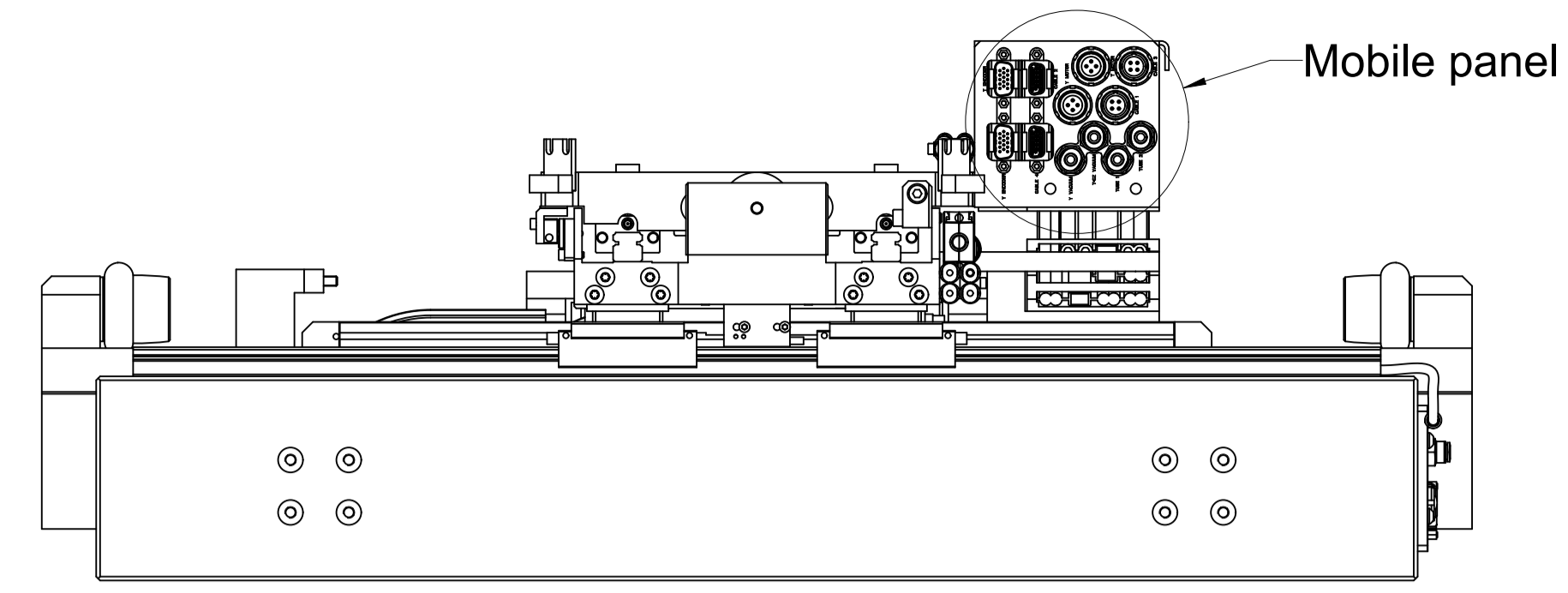


It is required to mount Vulcano 2 Stages on a granite or equivalent flat surface with a flatness inferior or equal to 5 microns

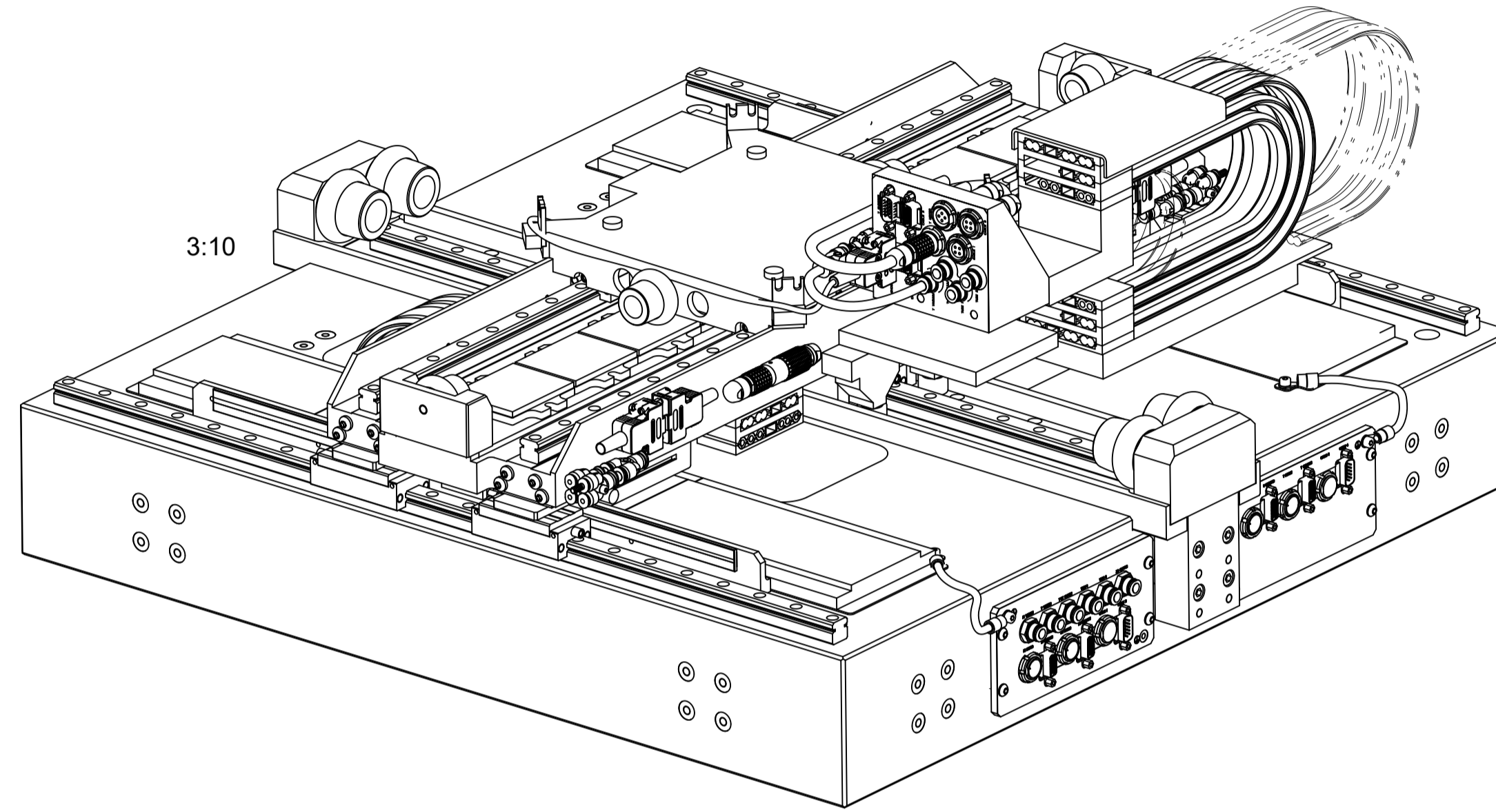
Text		ID number: 1280966-01
Original drawing		Change No. 0098198-35
Scale 3:10		Format A1
Released: 31-Oct-19		Tolerances as per ISO 8015 : 2011
Dimensions in mm		Tolerances selon ISO 8015 : 2011
Dimensions without tolerance		± 0.2
Dimensions sans tolérances		± 0.2
The reproduction, distribution and utilization of this document as well as the communication of its contents to others without express authorization is prohibited. Offenders will be held liable for the payment of damages. All rights reserved in the event of the grant of a patent, utility model or design. (ISO 18015)		
ETEL S.A. 2112 Möllers SWITZERLAND		Version Revision Sheet Page 1304129-00 - A-01 1 of 2



Front panel



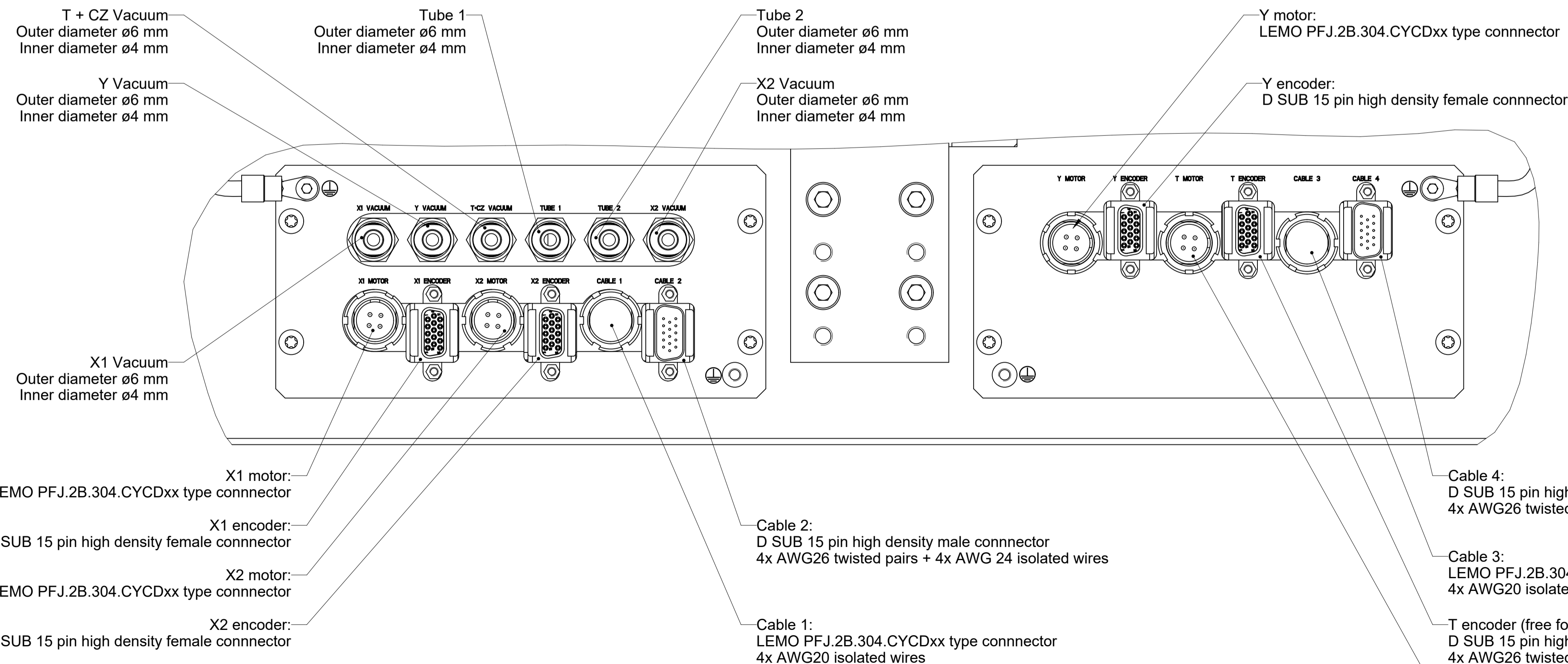
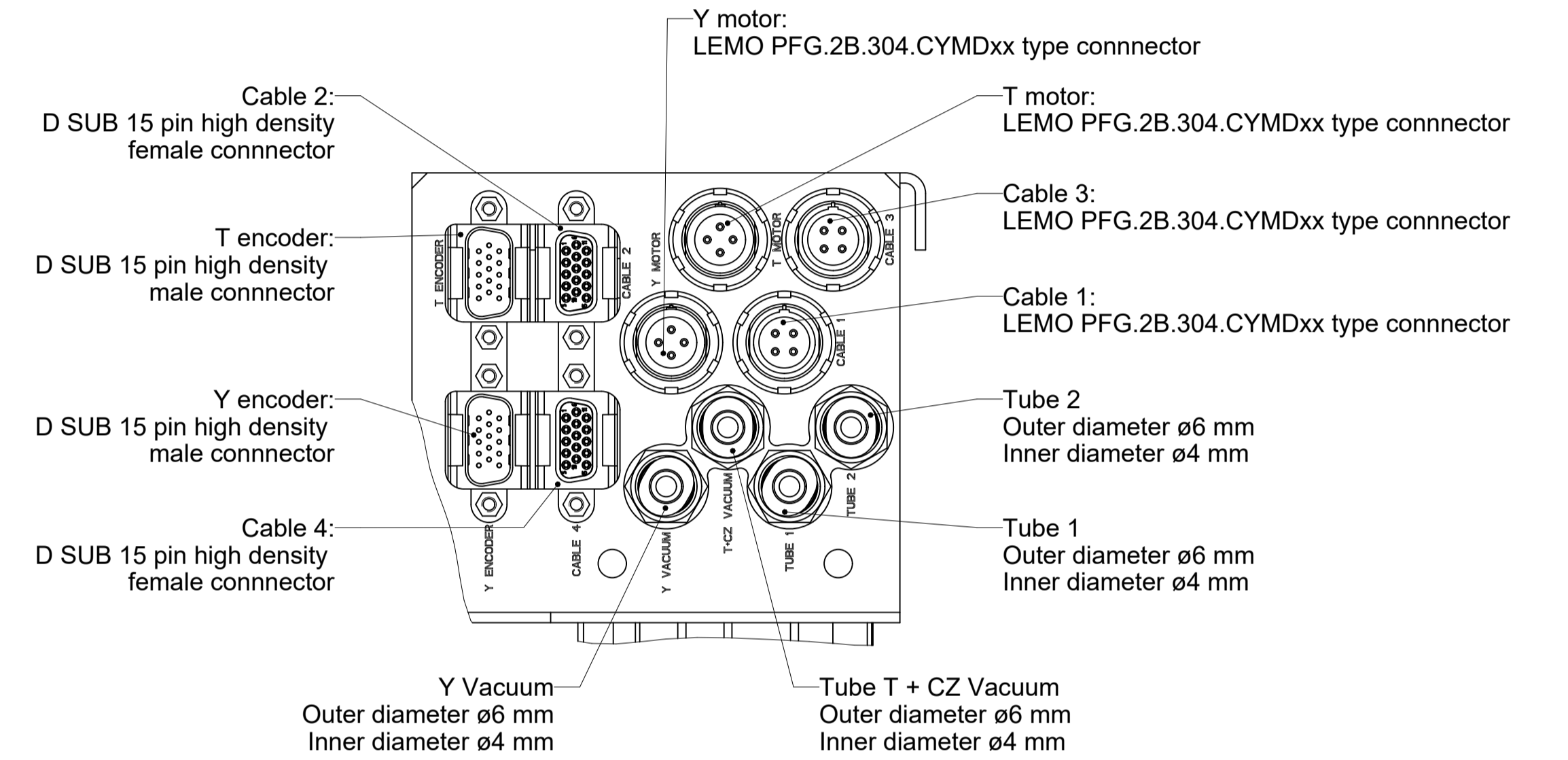
Mobile panel



3:10

Front panel
1:1

Mobile panel
1:1



Text: -		ID number: 1280966-01
Change No. C098198-35		Released: 31-Oct-19
Tolerances as per ISO 8015 : 2011 Tolérances selon ISO 8015 : 2011		Dimensions without tolerance Dimensions sans tolérances ± 0.2
The reproduction, distribution and utilization of this document as well as the communication of its contents to others without express authorization is prohibited. Offenders will be held liable for the payment of damages. All rights reserved in the event of the grant of a patent, utility model or design. (ISO 15015)		Version Revision Sheet Page
		1304129-00 - A-01 Document number