

Encoder Connector Pinning

Pin	Function
4	+5V
5, 12	GND
6	COS-
7	SIN-
8	IDX-
13	COS+
14	SIN+
15	IDX+
1, 2, 3, 9, 10, 11	Not Connected

Motor cable pinning

Wire	Function
Wire 3	Motor Phase 3
Wire 2	Motor phase 2
Wire 1	Motor phase 1
Gr-Ye	Protective Earth

Variant	Part n°	Winding	L	Tol.
ASME-RTMBi1401003RAS0000	1235113-01	3RAS	5000	±100
ASME-RTMBi1401003RBS0000	1235113-02	3RBS	5000	±100

1235113-01 ID number

Change No. C142285-45
Released: 09.05.2022

ASME-RTMBi1401003**S0000 - Interface
ASME-RTMBi1401003**S0000 - Interface

Material: Matière:

Original drawing Scale Format
RoHS 1:1 A1

Dimensions in mm / Cotes en mm Mating Dimensions / Cotes d'encastrement

Workpiece edges ISO 13715
Arêtes de formes selon ISO 13715
-0.1
L±0.3

General tolerances ISO 2768-mK
Tolérances générales ISO 2768-mK

Surfaces as per ISO 1302
Etats de surface selon ISO 1302

Tolerances as per ISO 8015 : 2011
Tolérances selon ISO 8015 : 2011

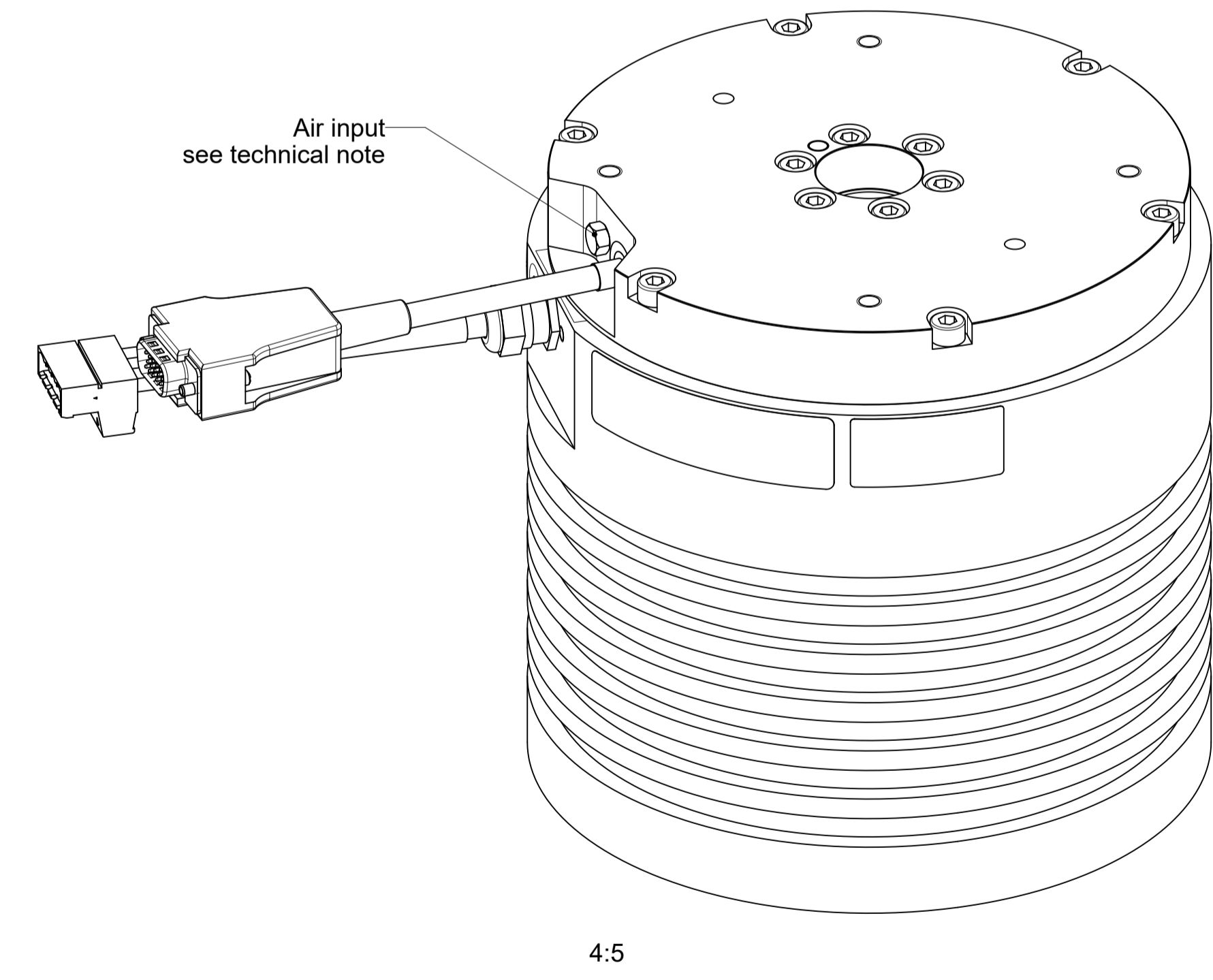
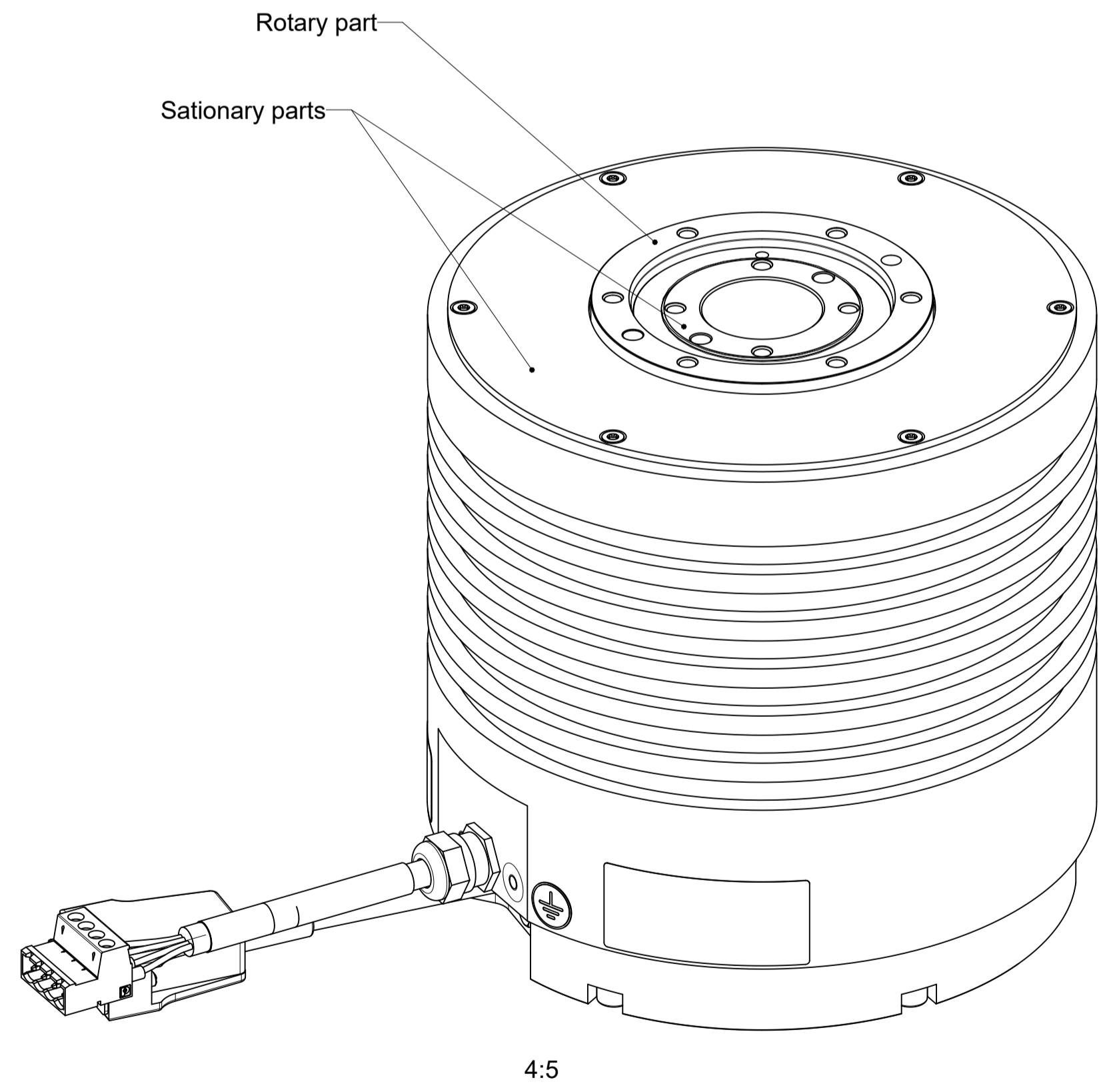
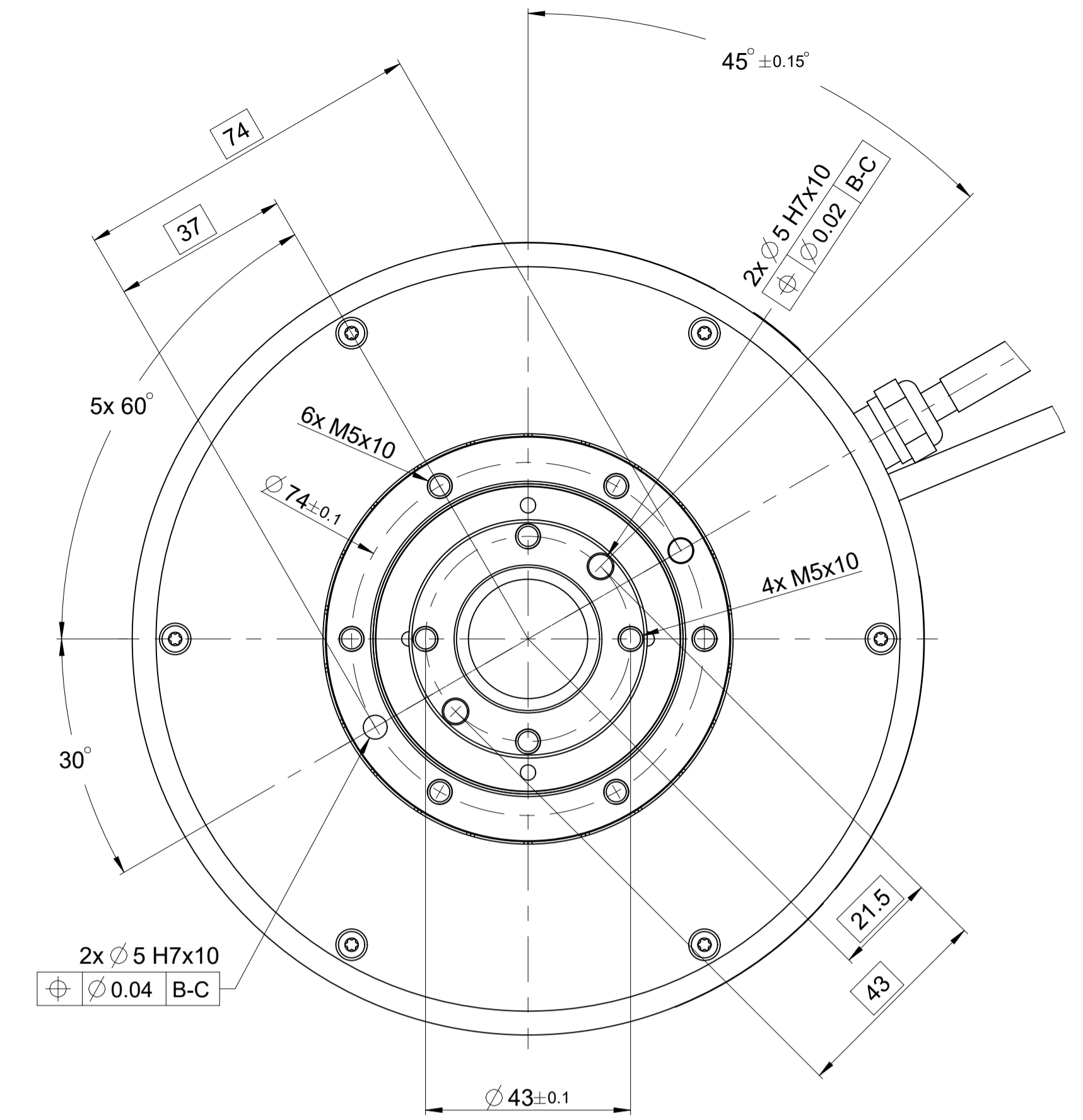
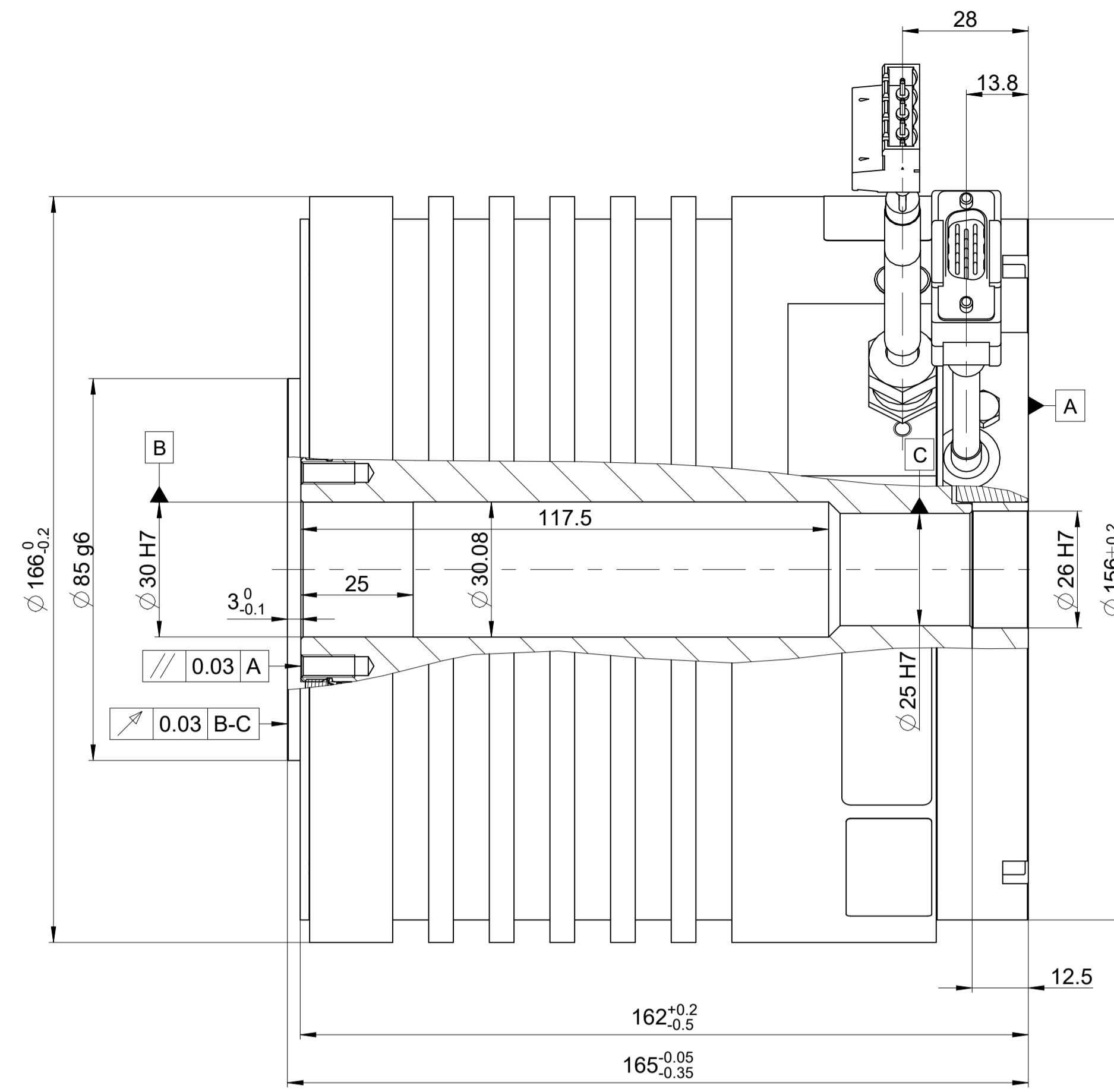
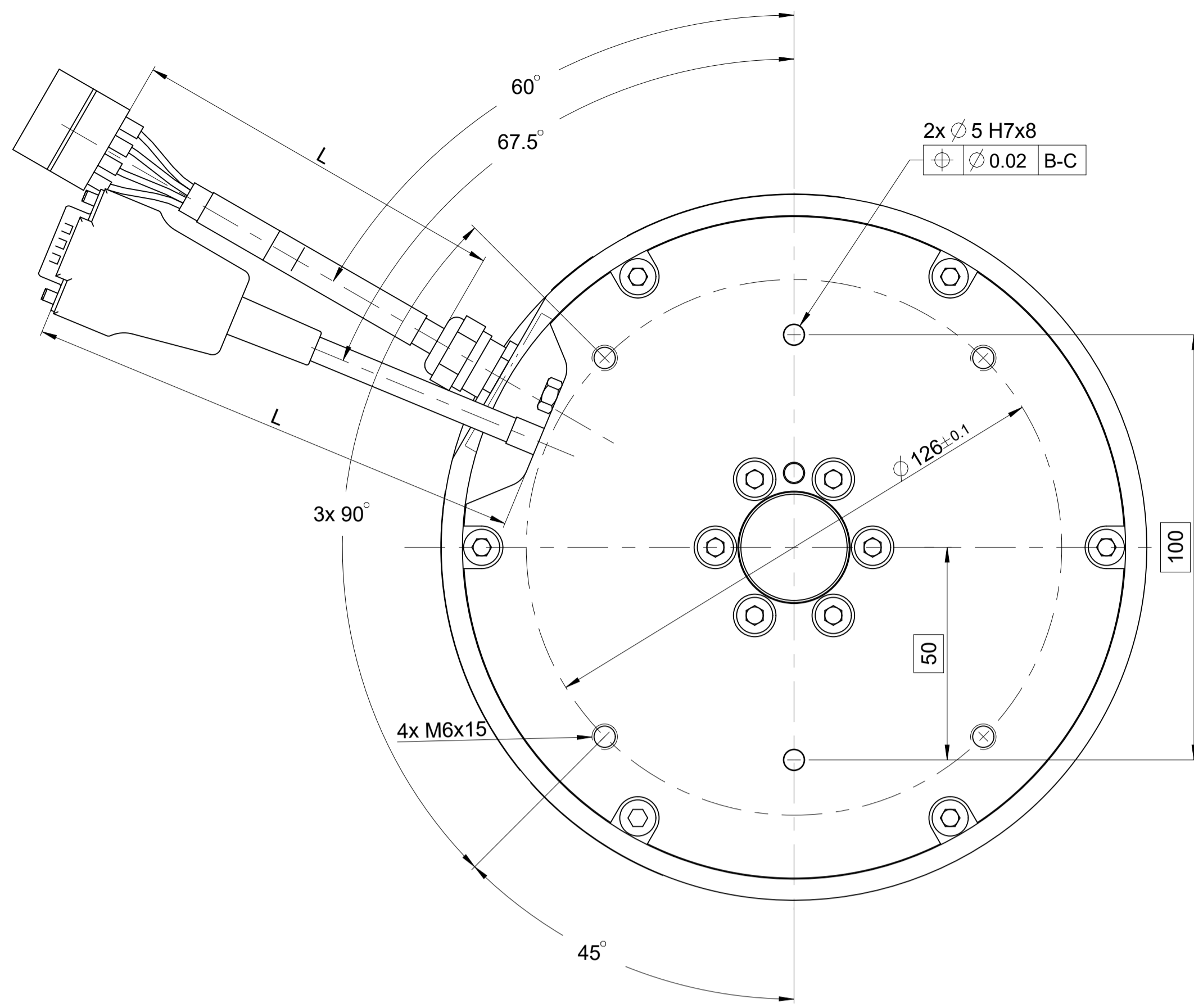
Surface treatment:
Traitement de surface:

The reproduction, distribution and utilization of this document as well as the communication of its contents to others without express authorization is prohibited. Offenders will be held liable for the payment of damages. All rights reserved in the event of the grant of a patent, utility model or design. (ISO 18015)

ETEL ETEL S.A.
2112 Möllers
SWITZERLAND

Version/Revision/Sheet Page
1271729-01 - A-01 1 of 1

Document number

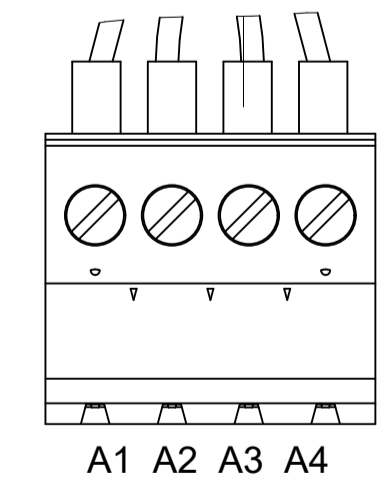


Encoder Connector Pinning

Pin	Function
4	+5V
5, 12	GND
6	COS-
7	SIN-
8	IDX-
13	COS+
14	SIN+
15	IDX+
1, 2, 3, 9, 10, 11	Not Connected

300V Connector Pinning

Pin	Wire	Function
A1	Wire 3	Motor Phase 3
A2	Wire 2	Motor phase 2
A3	Wire 1	Motor phase 1
A4	Gr-Ye	Protective Earth



Variant	Part n°	Winding	L	Tol.
ASME-RTMBi1401003RAS0000	1196273-01	3RAS	5000	±100
ASME-RTMBi1401003RBS0000	1196273-02	3RBS	5000	±100

1196273-00 ID number

Change No. C142285-40
Released: 09.05.2022

Material: Matière:

ASME-RTMBi1401003**S0000 - Interface

ASME-RTMBi1401003**S0000 - Interface

RoHS 1:1 A1

Dimensions in mm / Cotes en mm

Workplace edges ISO 13715 / Arêtes de formes selon ISO 13715

General tolerances ISO 2768-mK / Tolérances générales ISO 2768-mK

Surfaces as per ISO 1302 / Etats de surface selon ISO 1302

Tolerances as per ISO 8015 : 2011 / Tolérances selon ISO 8015 : 2011

Surface treatment: / Traitement de surface:

The reproduction, distribution and utilization of this document as well as the communication of its contents to others without express authorization is prohibited. Offenders will be held liable for the payment of damages. All rights reserved in the event of the grant of a patent, utility model or design. (ISO 18216)

ETEL ETEL S.A. 2112 Möhlers SWITZERLAND

Version/Revision/Sheet Page 1196505-01 - A-01 1 of 1

Document number