

**Encoder Connector Pinning**

Pin	Function
4	+5V
5, 12	GND
6	COS-
7	SIN-
8	IDX-
13	COS+
14	SIN+
15	IDX+
1, 2, 3, 9, 10, 11	Not Connected

**Motor cable pinning**

Wire	Function
Wire 3	Motor phase 3
Wire 2	Motor phase 2
Wire 1	Motor phase 1
Gr-Ye	Protective Earth

Variante	Part n°	Winding	L	Tol.
ASME-RTMBi1400703RAS0000	1235112-01	3RAS	5000	±100
ASME-RTMBi1400703RBS0000	1235112-02	3RBS	5000	±100

1235112-01 ID number

Change No. C142285-35  
Released: 09.05.2022

Material: Matière:

ASME-RTMBi1400703\*\*S0000 - Interface

ASME-RTMBi1400703\*\*S0000 - Interface

Dimensions in mm / Cotes en mm

Workpiece edges ISO 13715  
Arêtes de formes selon ISO 13715

General tolerances ISO 2768-mK  
Tolérances générales ISO 2768-mK

Surfaces as per ISO 1302  
Etats de surface selon ISO 1302

Tolerances as per ISO 8015:2011  
Tolérances selon ISO 8015:2011

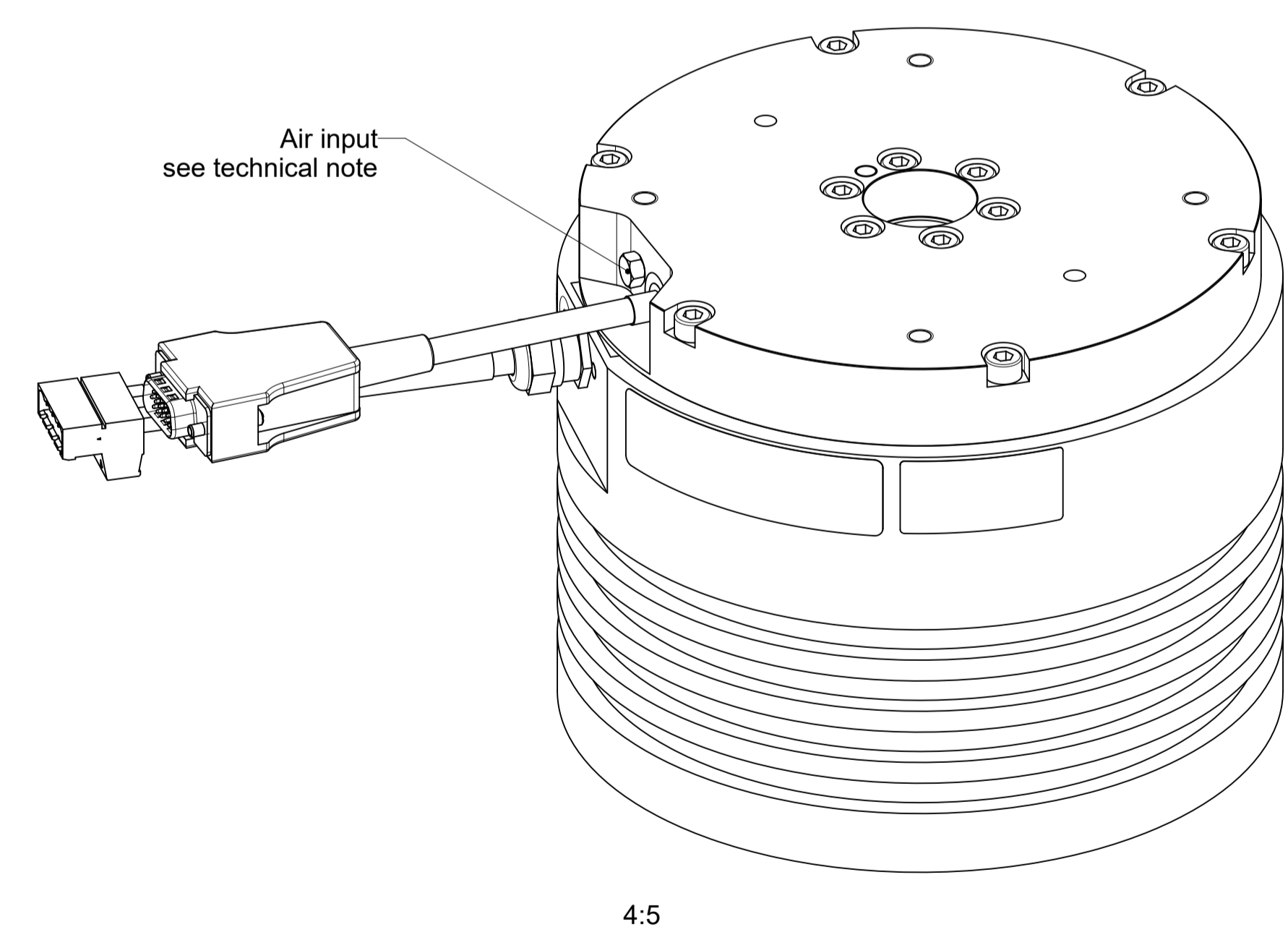
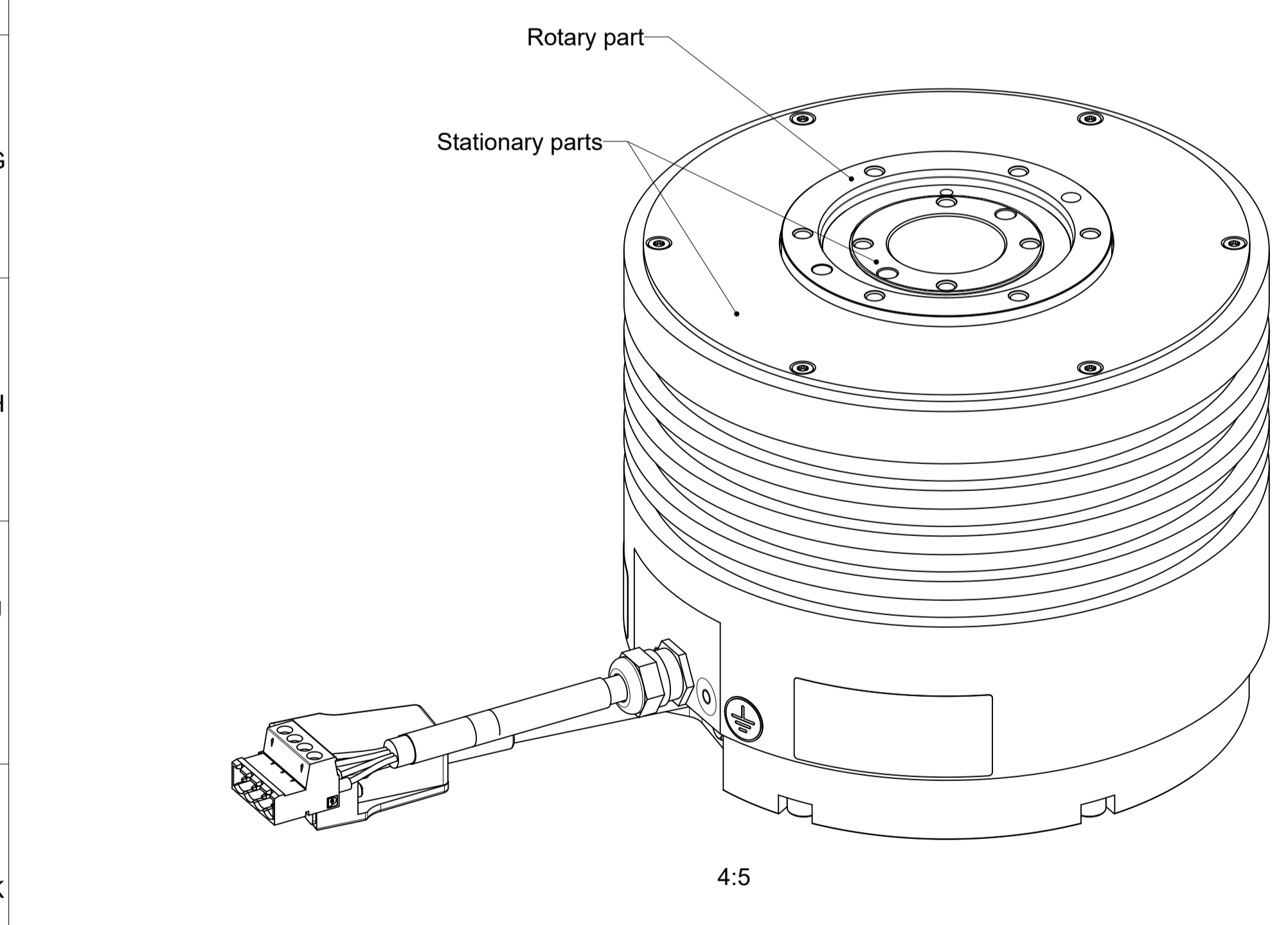
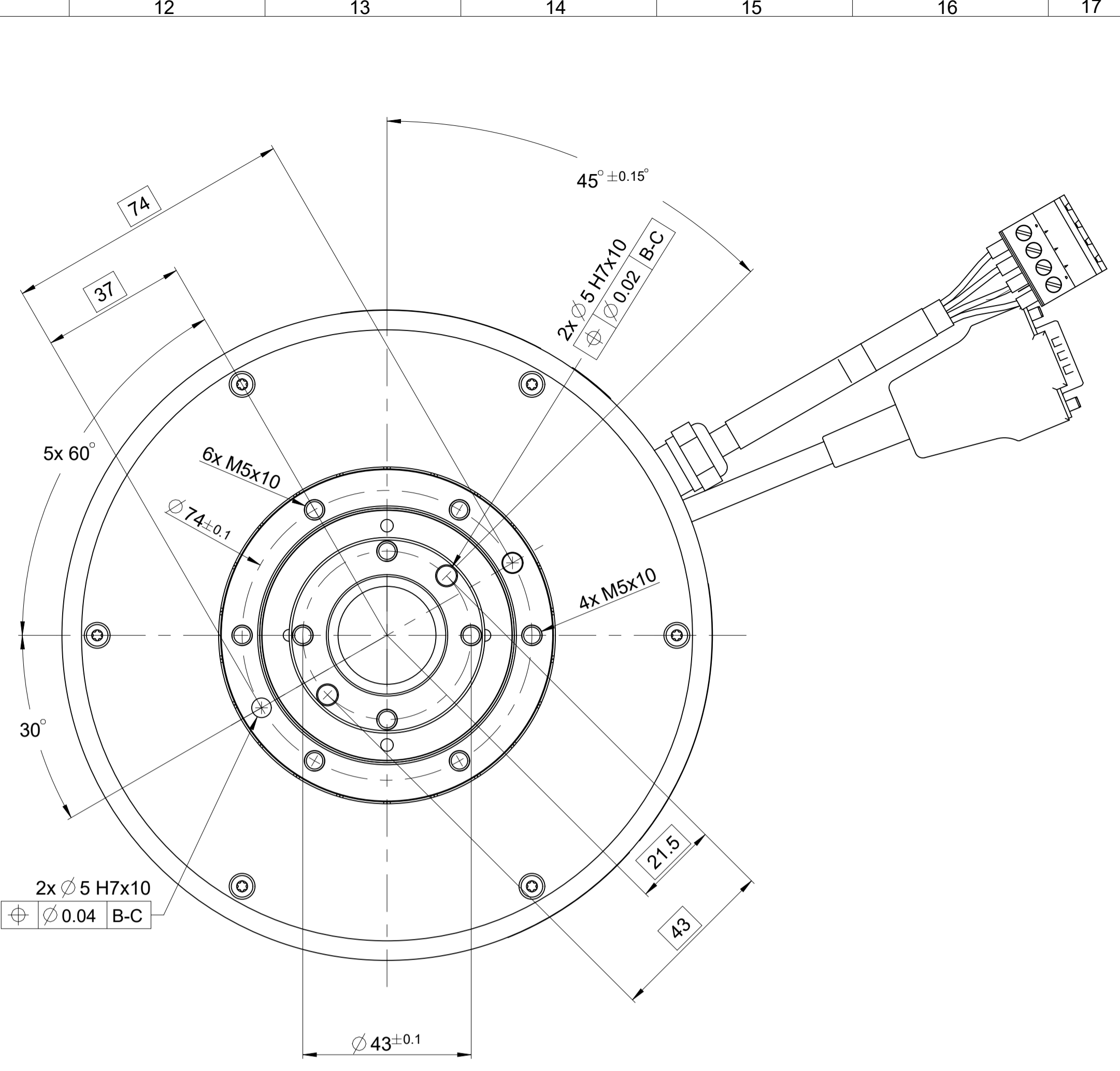
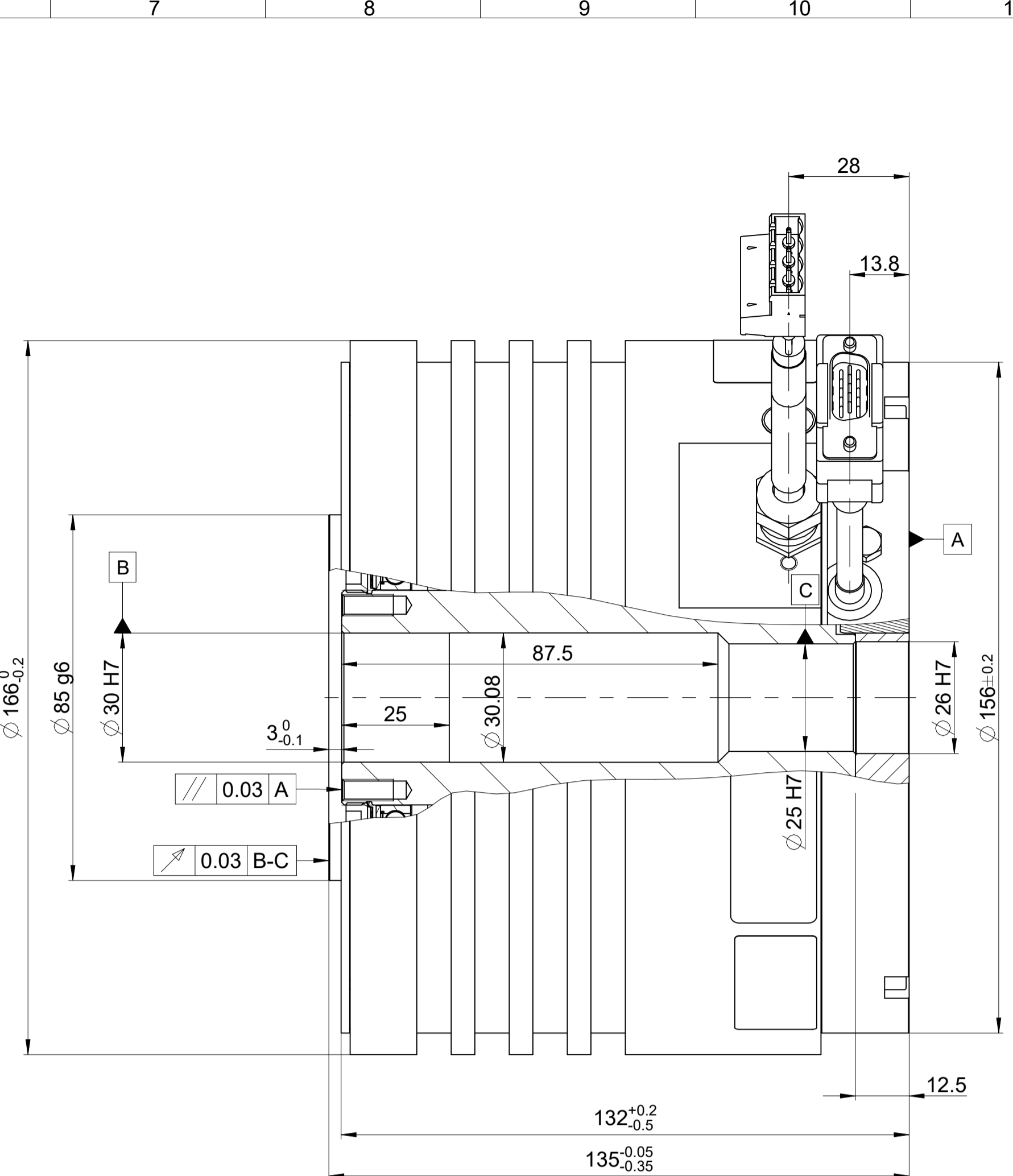
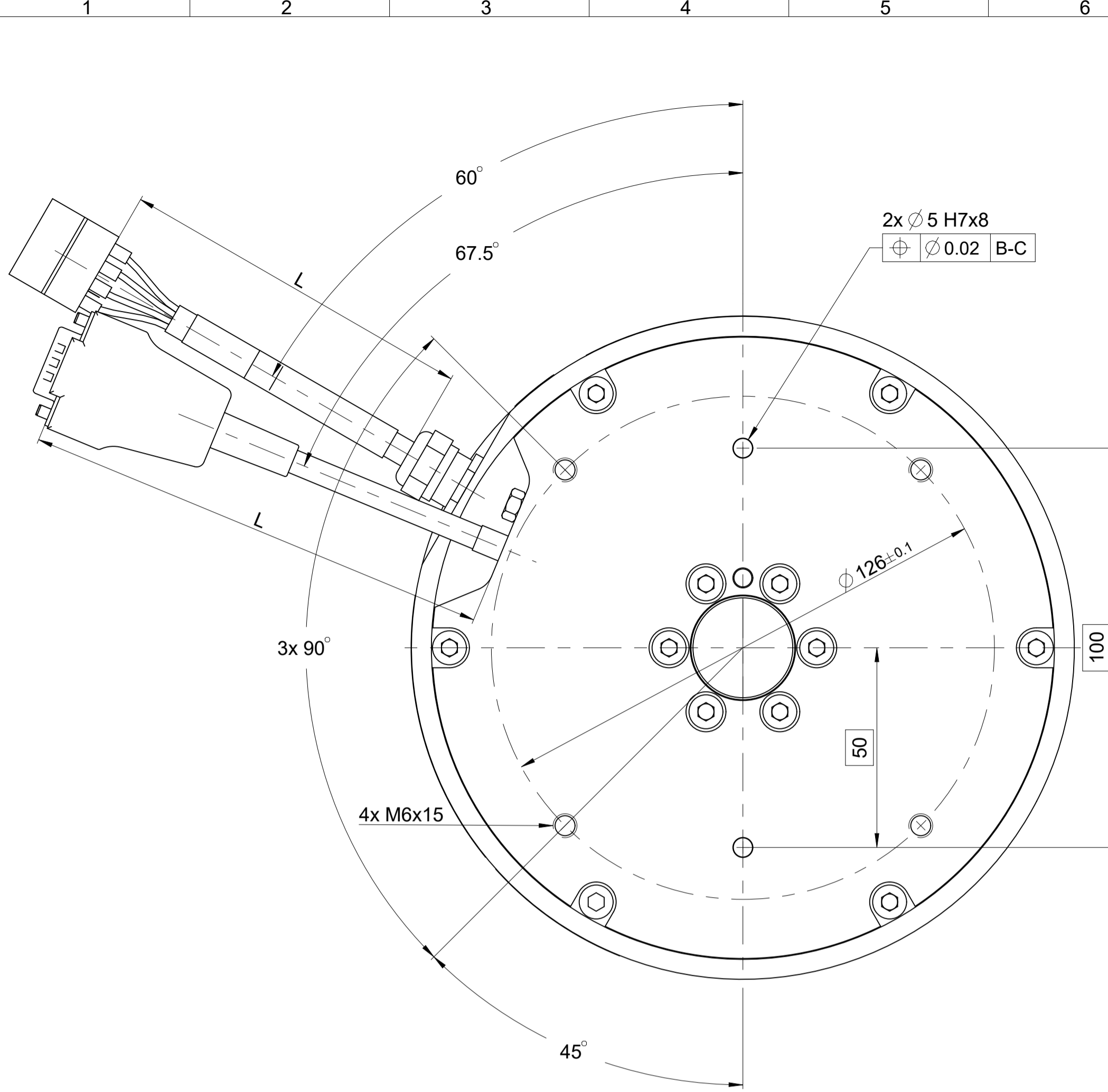
Surface treatment:  
Traitement de surface:

The reproduction, distribution and utilization of this document as well as the communication of its contents to others without express authorization is prohibited. Offenders will be held liable for the payment of damages. All rights reserved in the event of the grant of a patent, utility model or design. (ISO 18215)

ETEL ETEL S.A.  
2112 Möhlers  
SWITZERLAND

Version/Revision/Sheet Page  
1271717-01-A-01 1 of 1

Document number

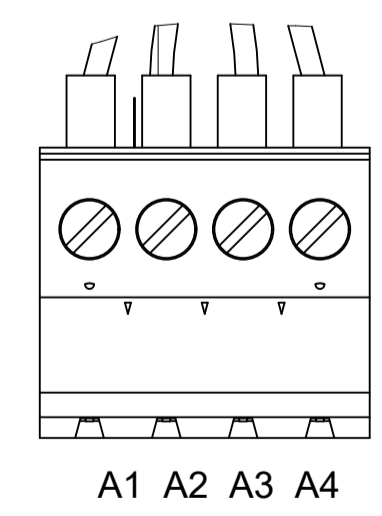


**Encoder Connector Pinning**

Pin	Function
4	+5V
5, 12	GND
6	COS-
7	SIN-
8	IDX-
13	COS+
14	SIN+
15	IDX+
1, 2, 3, 9, 10, 11	Not Connected

**300V Connector Pinning**

Pin	Wire	Function
A1	Wire 3	Motor phase 3
A2	Wire 2	Motor phase 2
A3	Wire 1	Motor phase 1
A4	Gr-Ye	Protective Earth



Variante	Part n°	Winding	L	Tol.
ASME-RTMBi1400703RAS0000	1196272-01	3RAS	5000	±100
ASME-RTMBi1400703RBS0000	1196772-02	3RBS	5000	±100

1196272-00 ID number

Text: Original drawing Scale Format ASME-RTMBi1400703\*\*S0000 - Interface  
 RoHS 1:1 A1 ASME-RTMBi1400703\*\*S0000 - Interface  
 Dimensions in mm / Cotes en mm Mating Dimensions / Cotes d'encastrement  
 Workplace edges ISO 13715 Arêtes de formes selon ISO 13715 -0.1 Ls0.3 +0.3 Ls0.0  
 General tolerances ISO 2768-mK Tolérances générales ISO 2768-mK Surfaces as per ISO 1302 Etats de surface selon ISO 1302  
 Tolerances as per ISO 8015 : 2011 Tolérances selon ISO 8015 : 2011 Surface treatment: Traitement de surface:  
 The reproduction, distribution and utilization of this document as well as the communication of its contents to others without express authorization is prohibited. Offenders will be held liable for the payment of damages. All rights reserved in the event of the grant of a patent, utility model or design. (ISO 18015)

ETEL ETEL S.A. 2112 Möhlers SWITZERLAND

Version/Revision/Sheet Page 1196504-01 - A-01 1 of 1  
 Document number