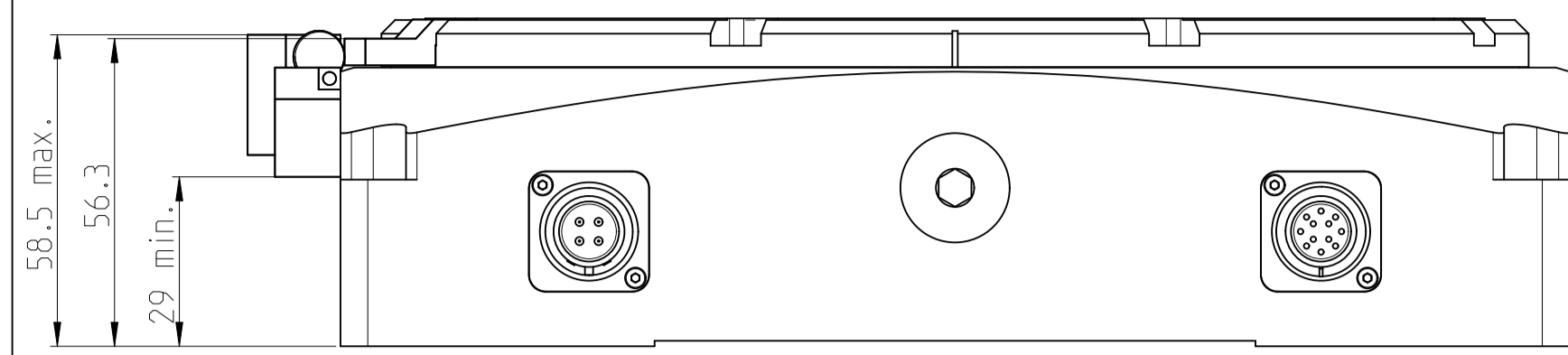
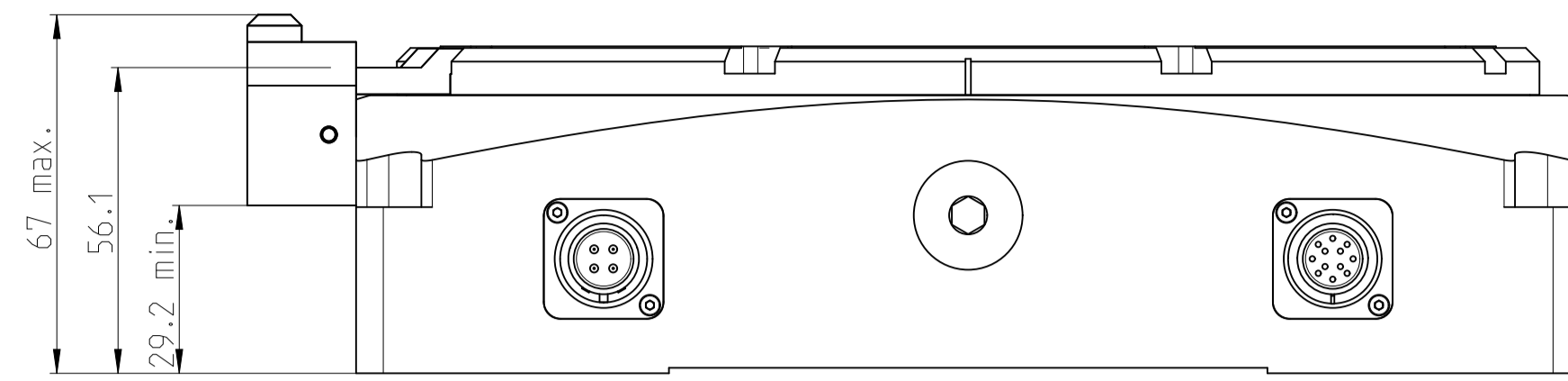




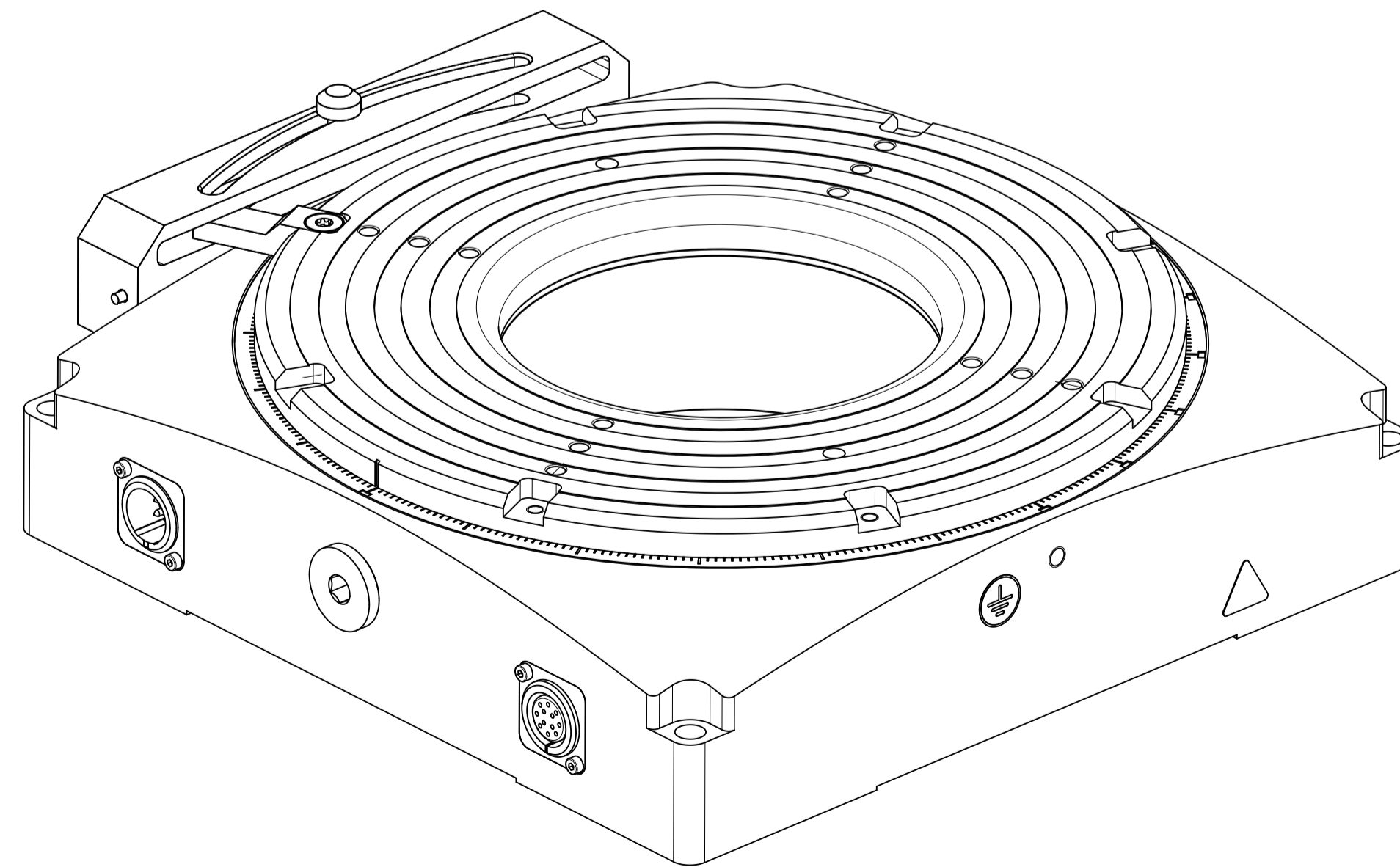
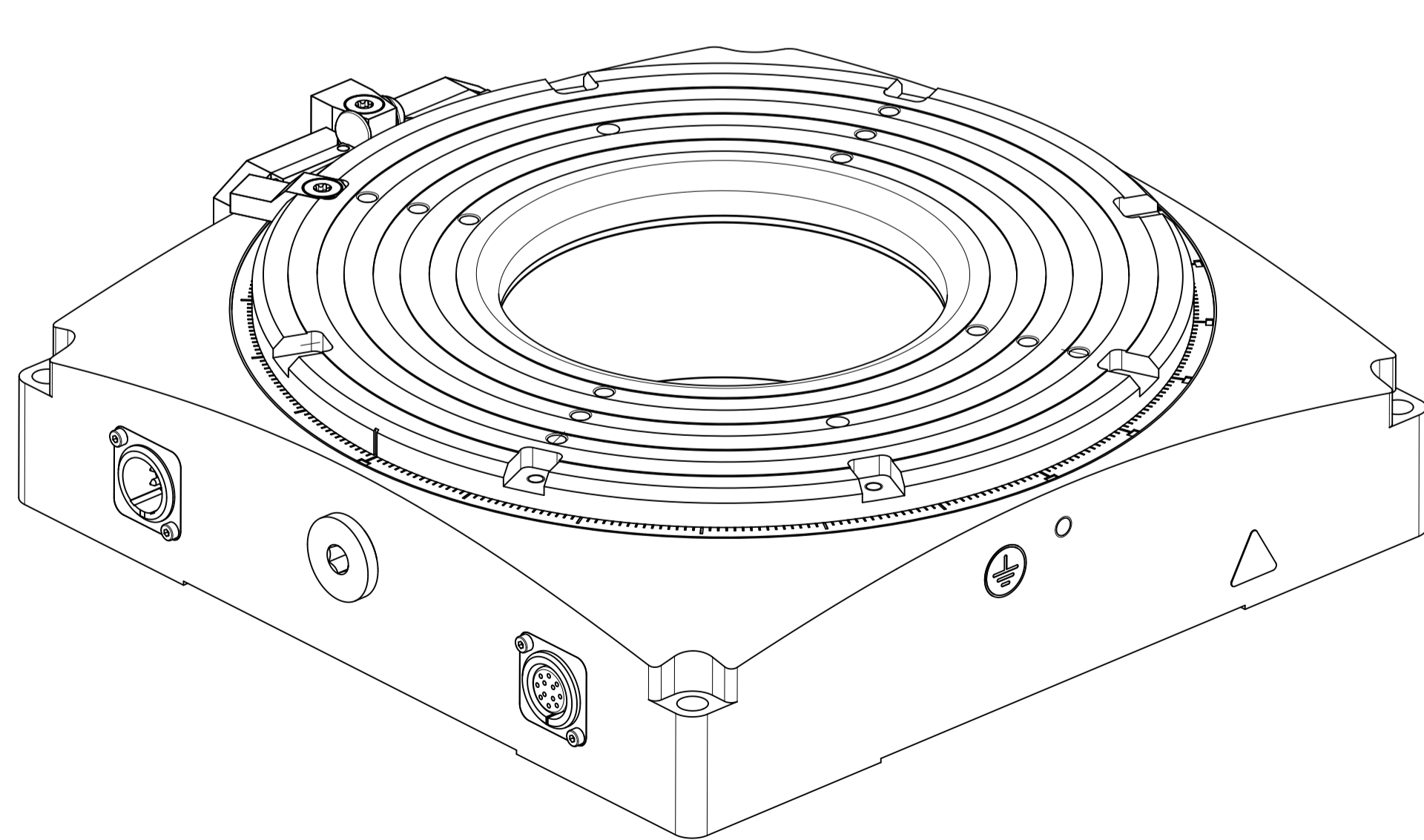
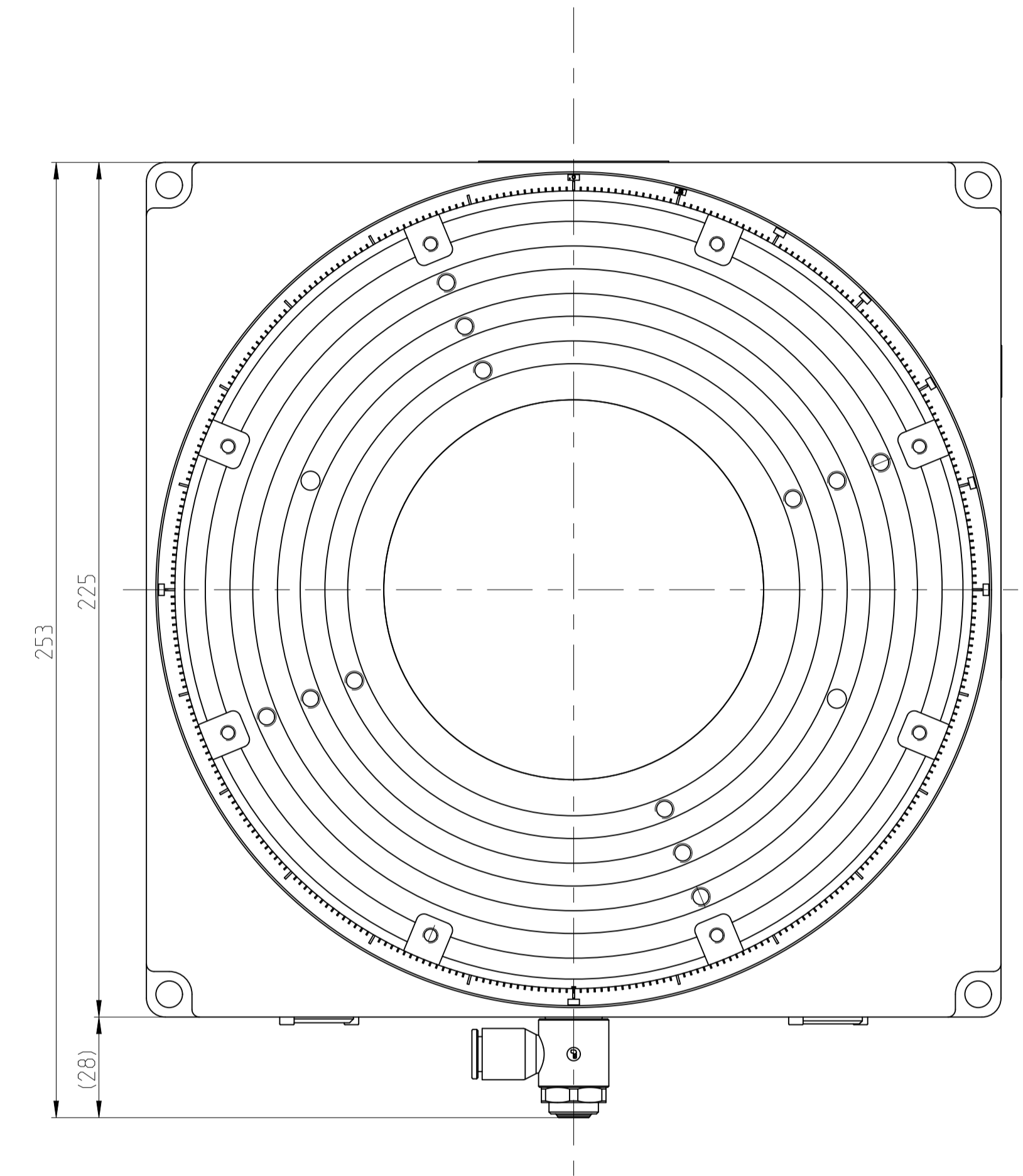
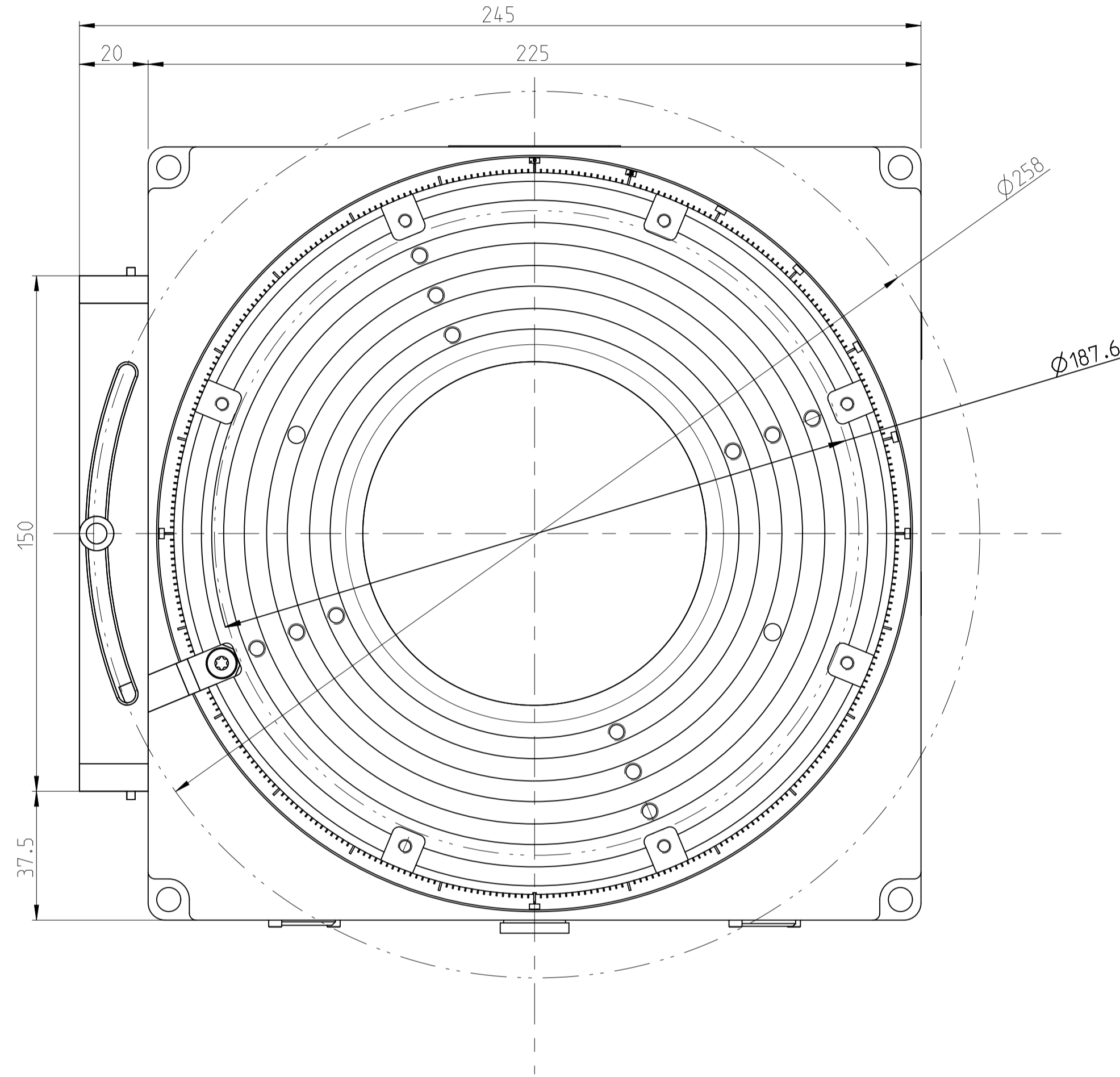
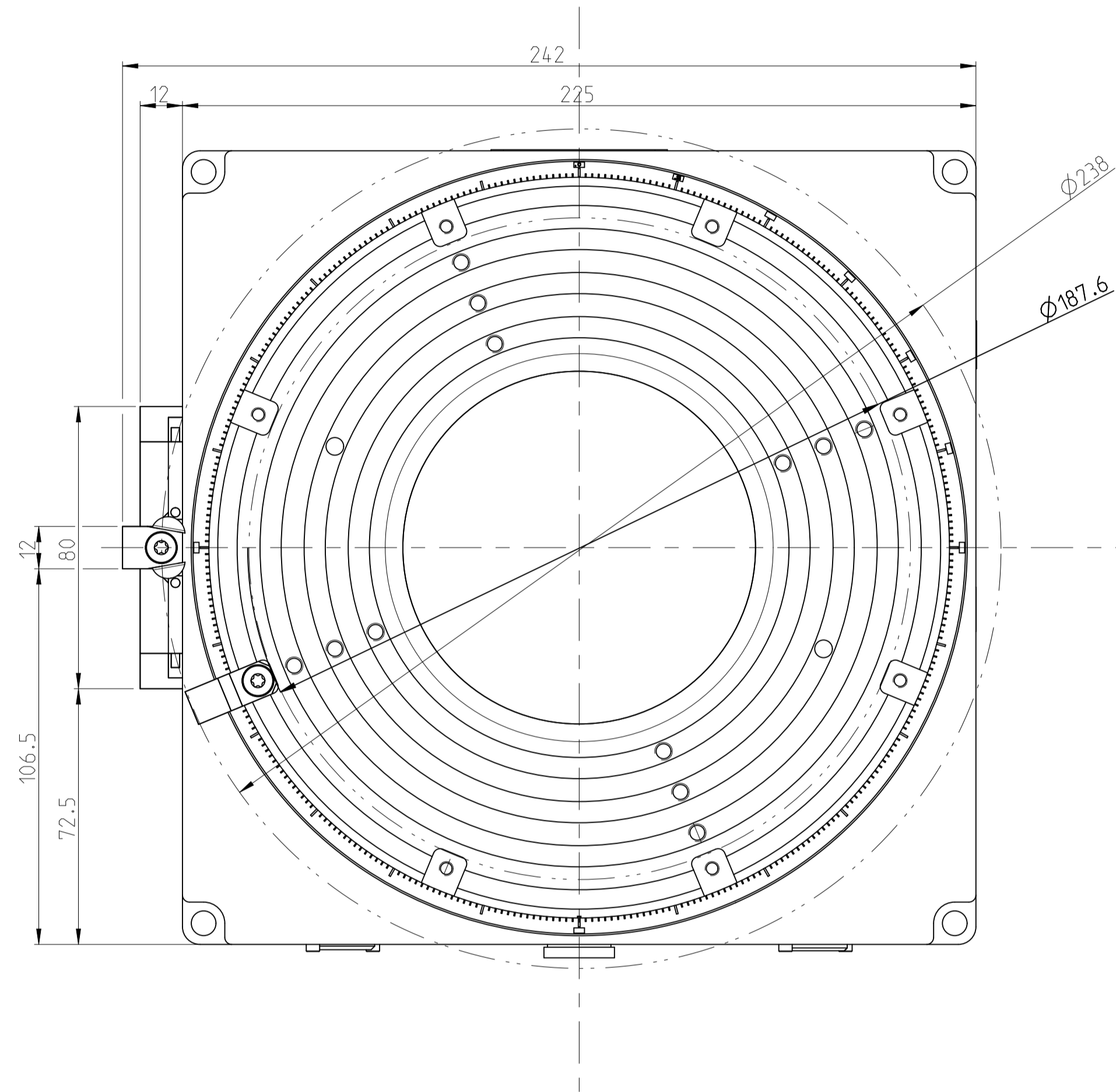
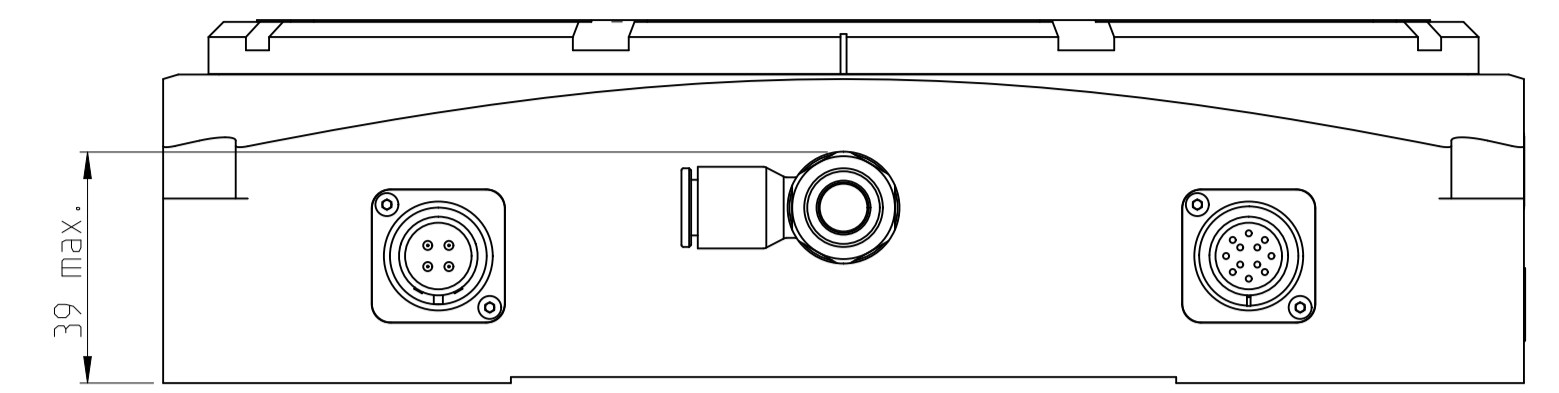
fixed mechanical end-stop (optional)



mobile mechanical end-stop (optional)



air purge (optional)



02 B	Text : -	814334-01
	Release n° : C012324-10	Part number
Material :	-	
Treatment:	-	
Edges of undefined shape ISO 13715	-	
	±0.3	
	±0.3	
<b>ASME-DXRTO2250303RASXXX-T STANDALONE AXIS</b>		
Drawn	Checked	Approved
Chichiric	Mazerolle	
02.12.2014	20.02.2015	
ETEL S.A. 2712 Möllens SWITZERLAND	This document is the property of ETEL S.A. and is submitted in confidence. Reproduction or application without written authorization is prohibited.	Projection Size Scale Old n° 0242n Original A1 1:1 814368 Version/Revision Sheet Page 02 B 01 2/2